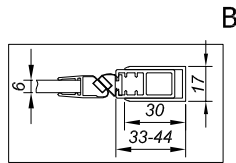
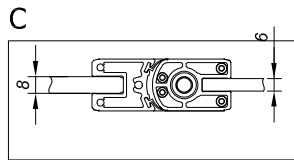
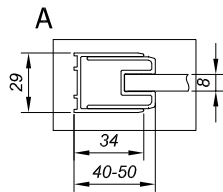
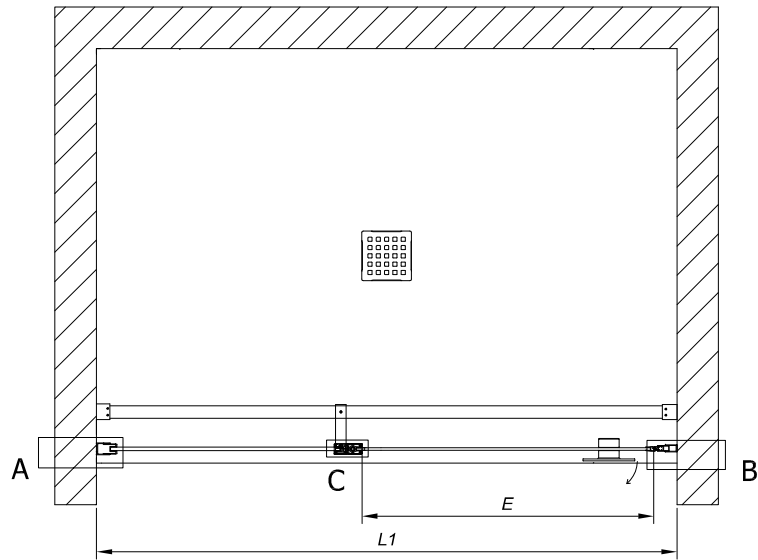


kolpa-san *SHOWER ENCLOSURE ANDROMEDA*
DUSCHKABINE ANDROMEDA

1/2

	L 1 (mm)	E (mm)	F (mm)
N 120	1180-1200	713	600-610
N 140	1380-1400	713	800-810
N 160	1580-1600	713	1000-1010

N 120, 140, 160 UNI



kolpa-san *SHOWER ENCLOSURE ANDROMEDA*
DUSCHKABINE ANDROMEDA

2/2

N 120, 140, 160 UNI

