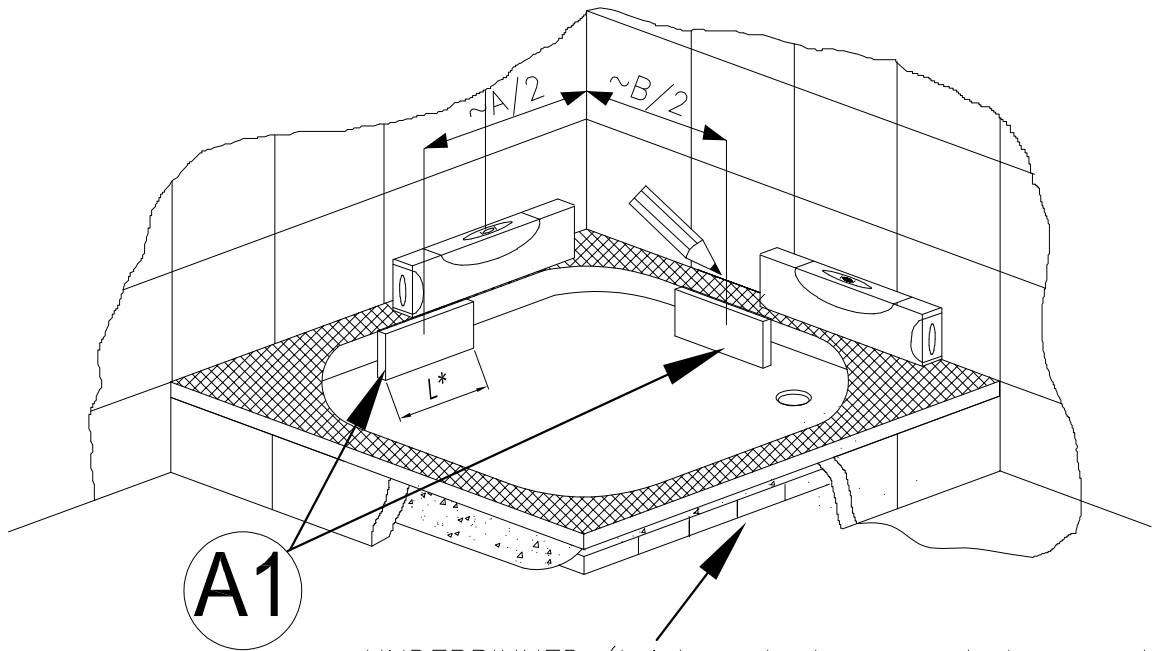
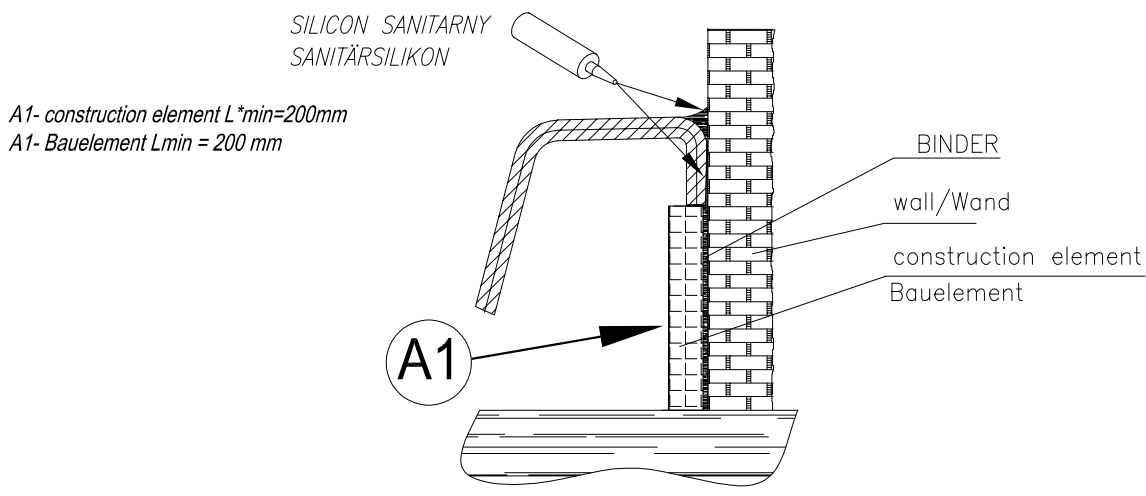
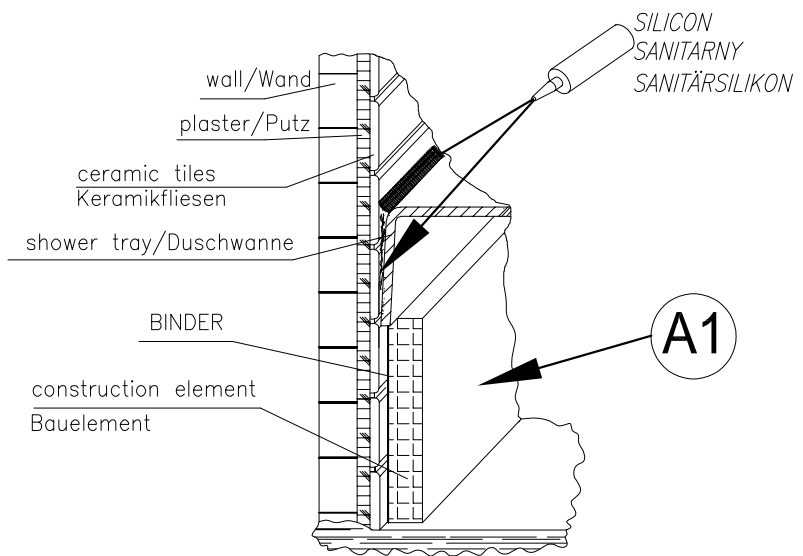


OPTION OF INSTALLATION AGAINST THE WALL
EINBAUVARIANTE AM WAND

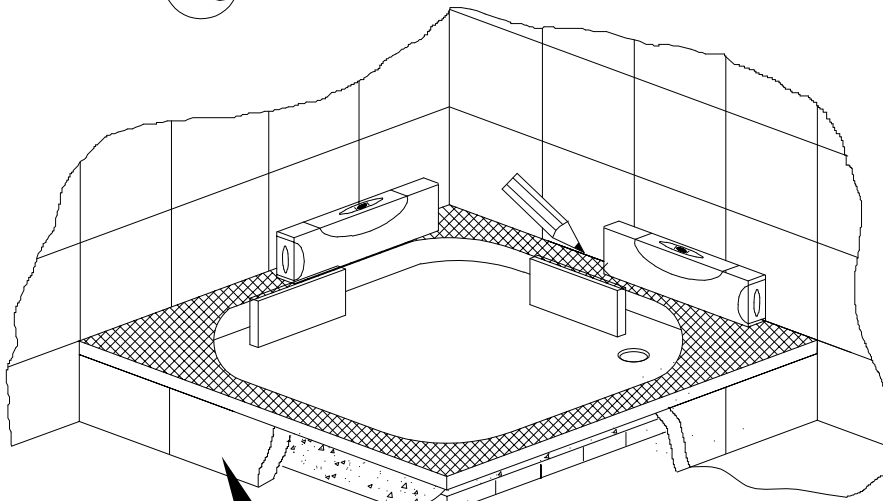
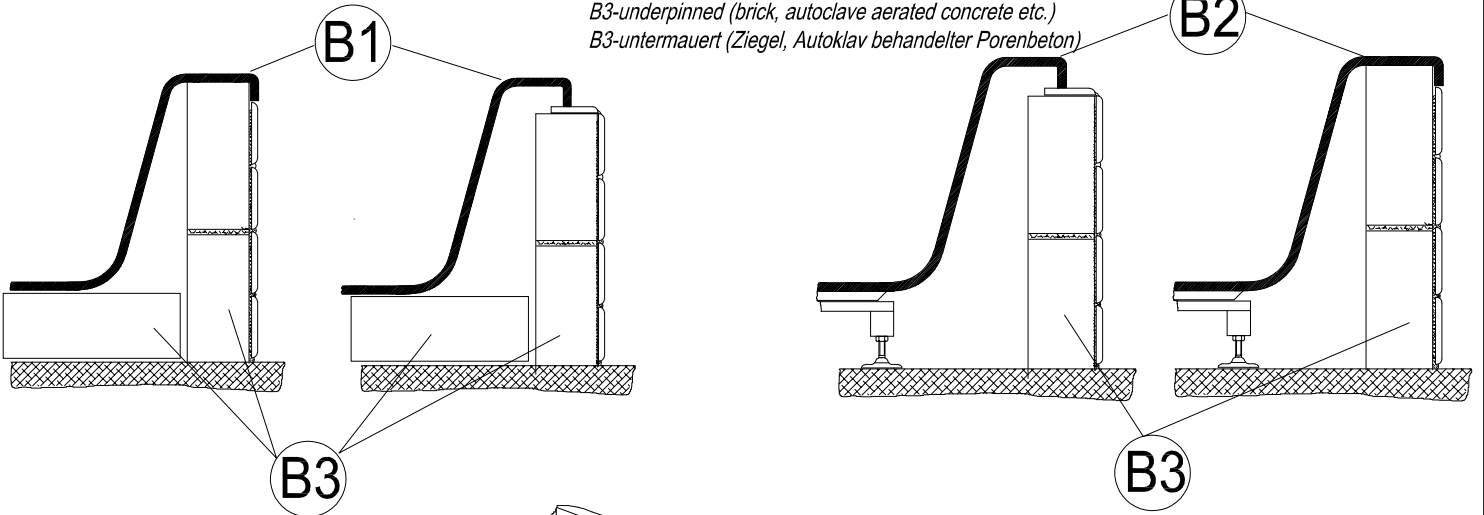


UNDERPINNED (brick, autoclave aerated concrete etc.)
UNTERMAUERT (ZIEGEL, Autoklav behandelter Porenbeton)



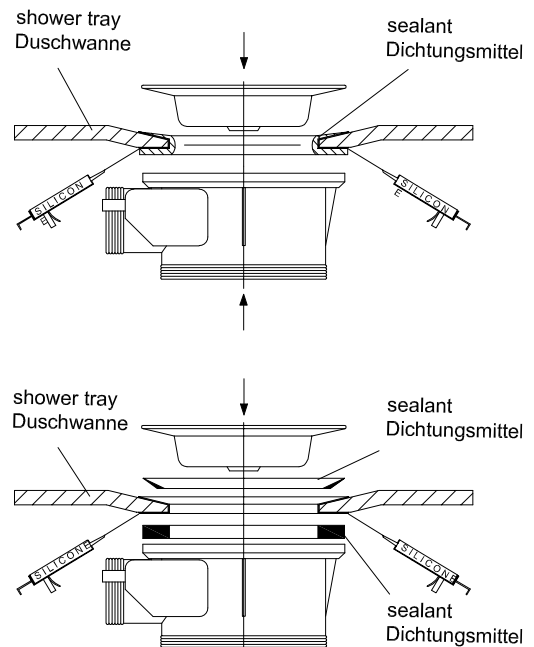
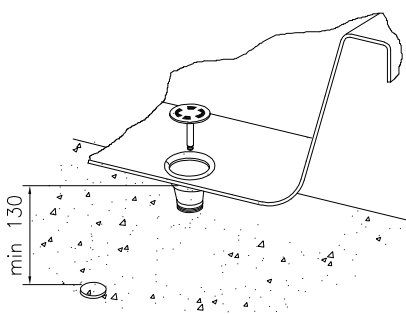
INSTALLATION OPTIONS OF THE FRONT
EINBAUVARIANTE DER VORDERSEITE

- B1-shower tray without the base
- B1-Duschwanne ohne Sockel
- B2-shower tray with base
- B2-Duschwanne mit Sockel
- B3-underpinned (brick, autoclave aerated concrete etc.)
- B3-untermauert (Ziegel, Autoklav behandelter Porenbeton)



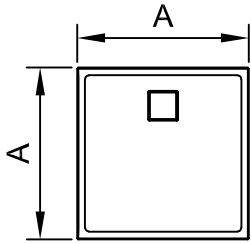
B3 UNDERPINNED (brick, autoclave aerated concrete etc.)
 UNTERMAUERT (ZIEGEL, Autoklav behandelter Porenbeton)

INSTALLATION OF SIPHON
SIPHON-MONTAGE

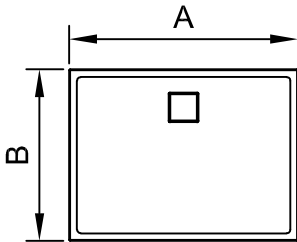


SERRA

1/2

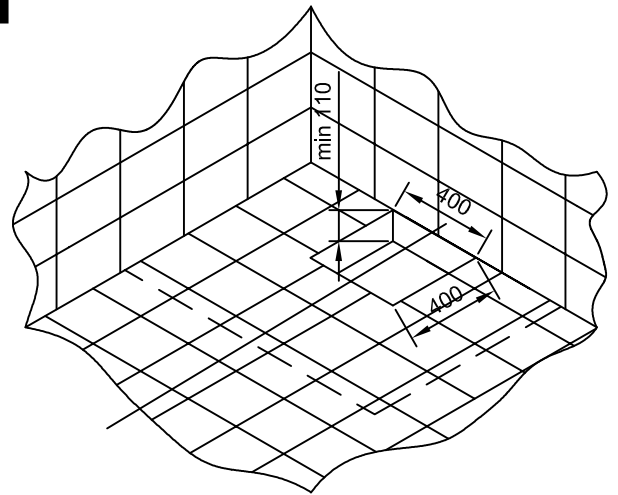


	A	A
SERRA 90X90	900	900

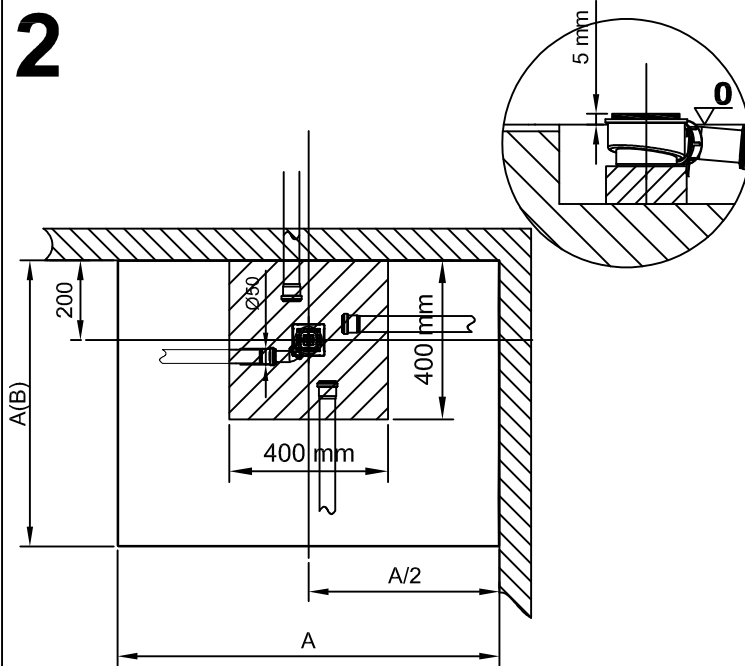


	A	B
SERRA 120X80	1200	800
SERRA 120X90	1200	900
SERRA 140x80	1400	800
SERRA 140x90	1400	900

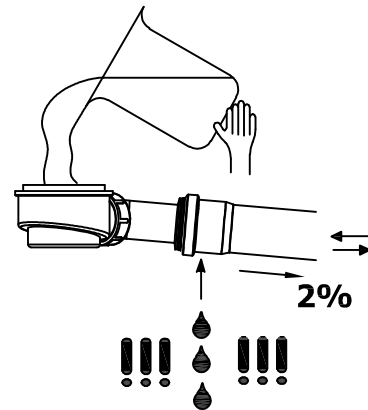
1



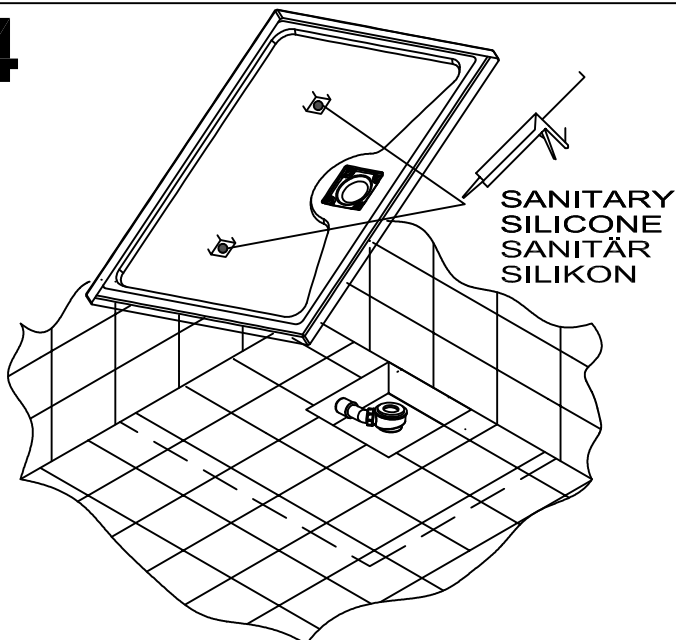
2



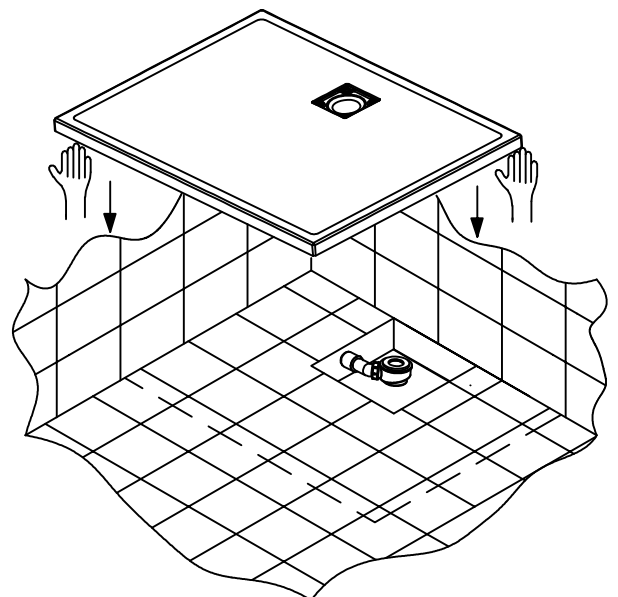
3



4

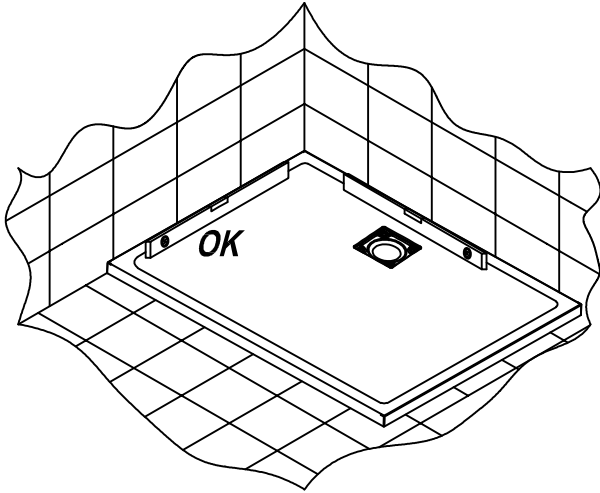


5



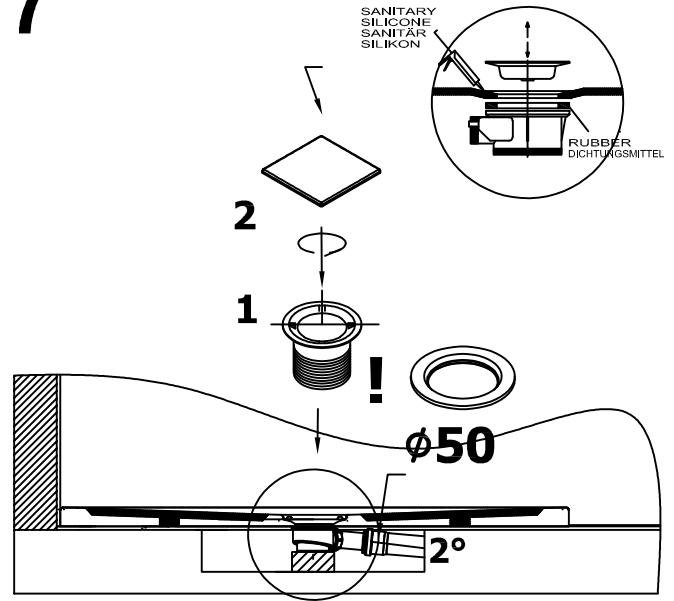
SERRA

6

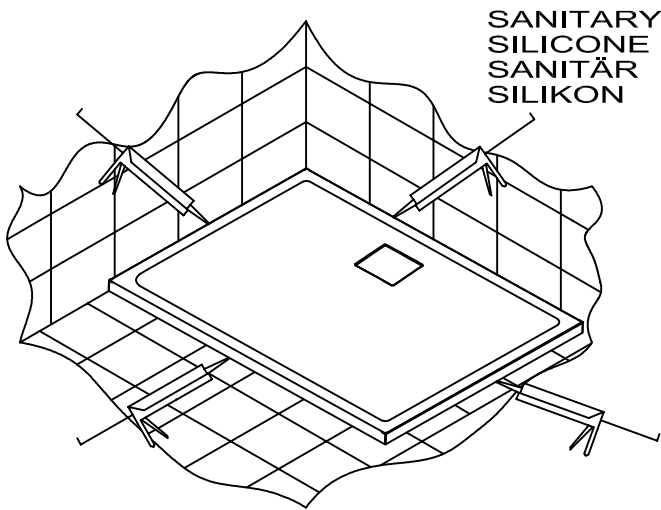


7

2/2



8



9

