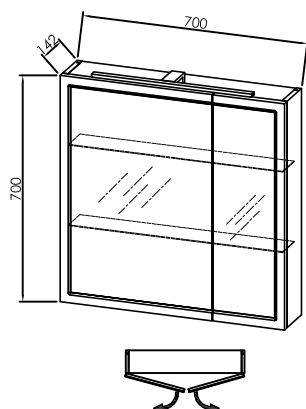
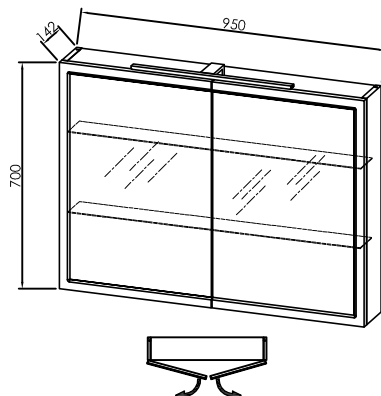


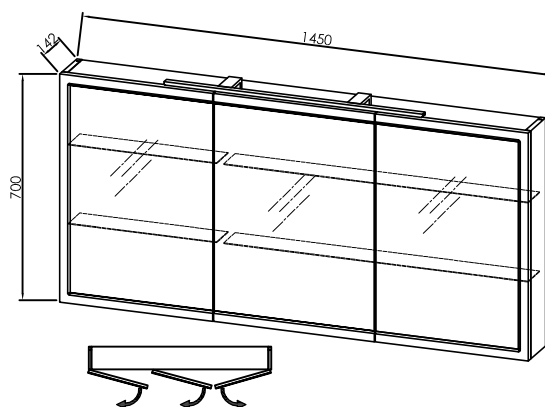
**TOB 70 ANT - LED , SW, S**  
**TOB 70 KASCHMIR - LED , SW, S**  
**TOB 70 WH - LED , SW, S**



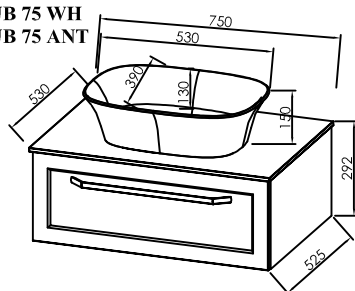
**TOB 95 ANT - LED , SW, S**  
**TOB 95 KASCHMIR - LED , SW, S**  
**TOB 95 WH - LED , SW, S**



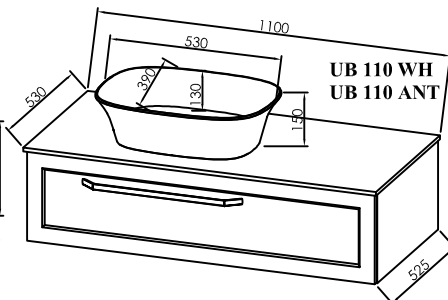
**TOB 145 ANT - LED , SW, S**  
**TOB 145 KASCHMIR - LED , SW, S**  
**TOB 145 WH - LED , SW, S**



**UB 75 WH**  
**UB 75 ANT**

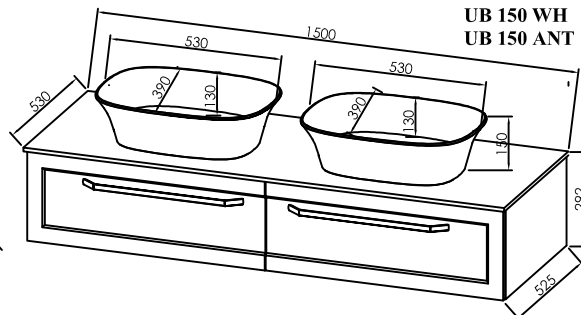


**OB 75 ANT**  
**OB 75 KASCHMIR**  
**OB 75 WH**



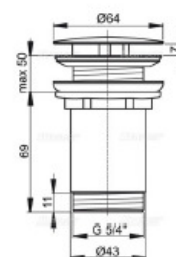
**OB 110 ANT**  
**OB 110 KASCHMIR**  
**OB 110 WH**

**UB 150 WH**  
**UB 150 ANT**



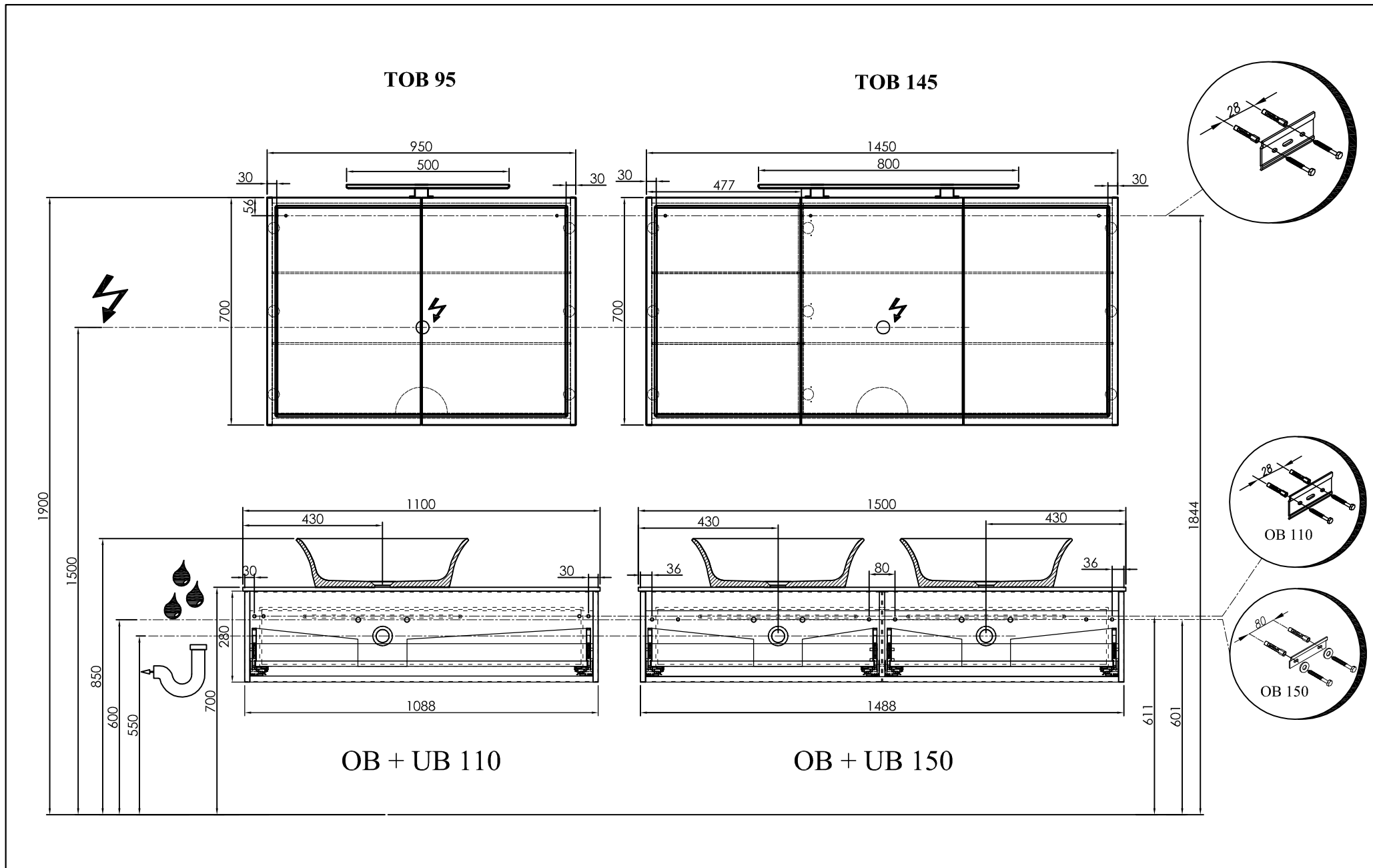
**OB 150 ANT**  
**OB 150 KASCHMIR**  
**OB 150 WH**

+

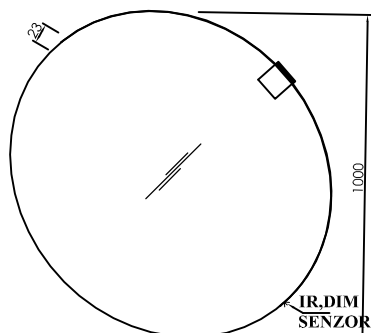


ZGORNJI DEL SIFONA SE PRILAGA

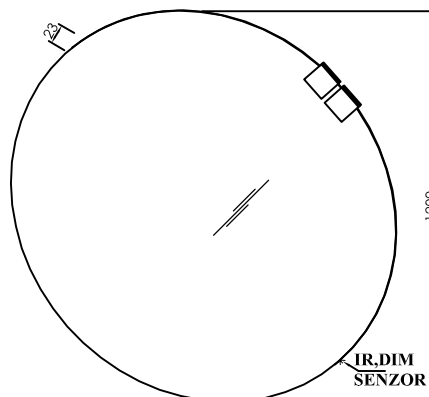
**BLANSHE**  
**OB / UB 75, 110, 150 / TOB 70, 95, 145**



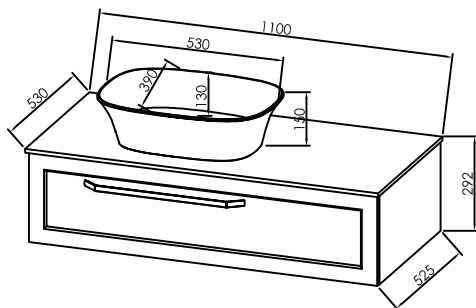
**OG Ø100 - LED, IR, DIM**



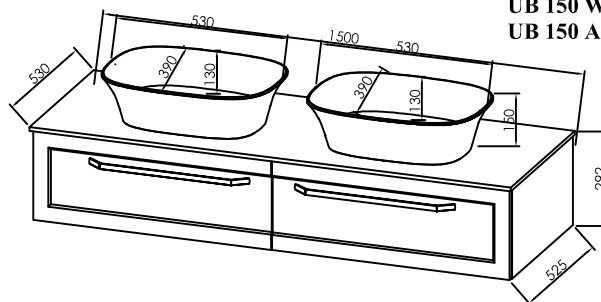
**OG Ø120 - LED, IR, DIM**



**UB 110 WH  
UB 110 ANT**



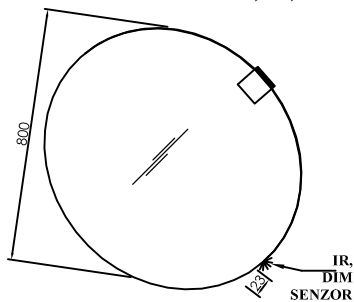
**UB 150 WH  
UB 150 ANT**



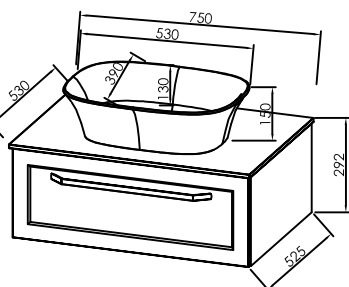
**OB 110 ANT  
OB 110 KASCHMIR  
OB 110 WH**

**OB 150 ANT  
OB 150 KASCHMIR  
OB 150 WH**

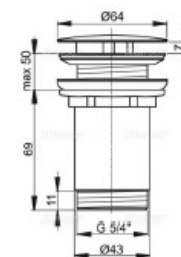
**OG 80 - LED, IR, DIM**



**UB 75 WH  
UB 75 ANT**

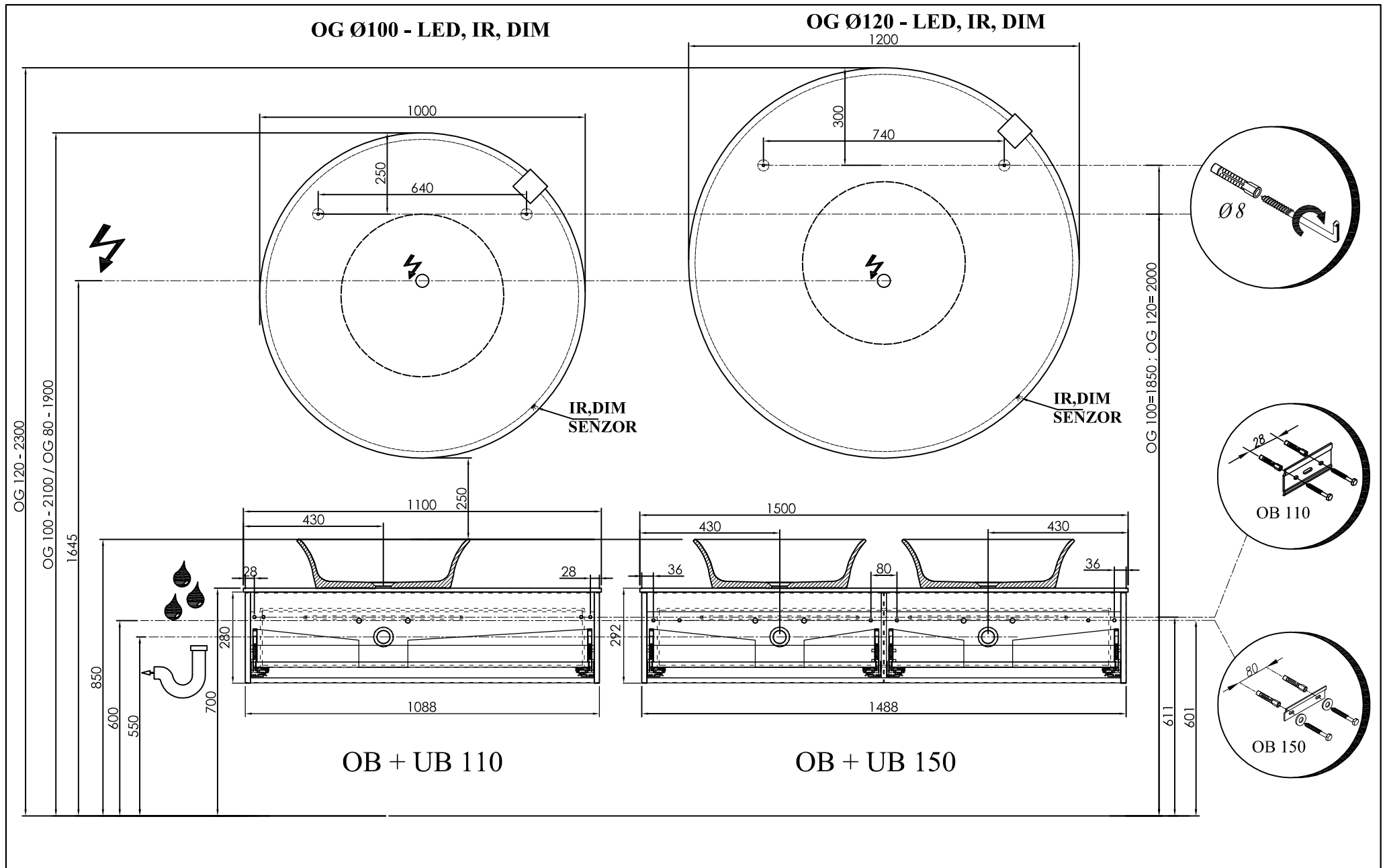


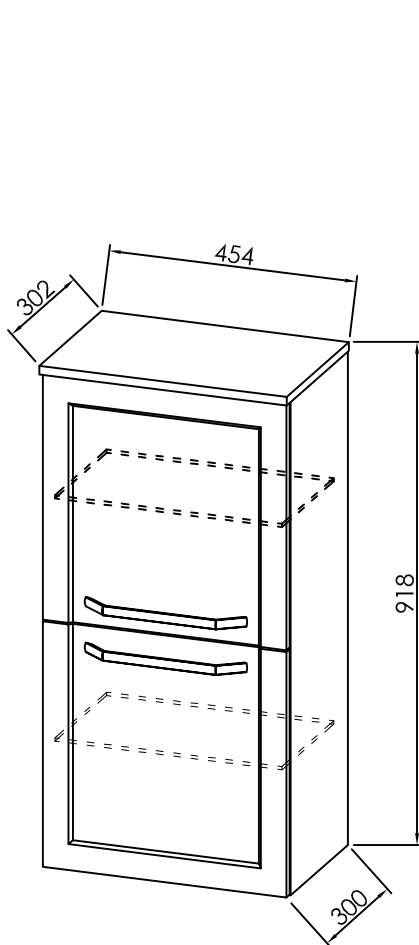
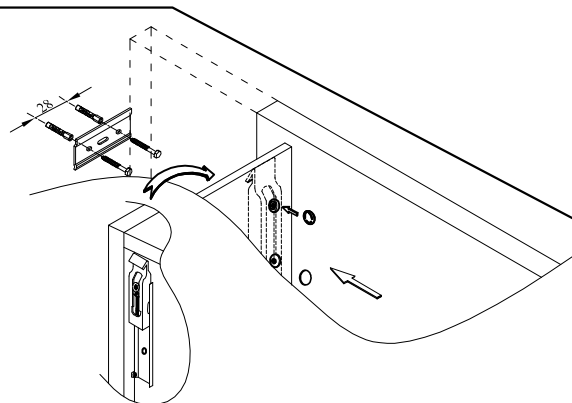
**OB 75 ANT  
OB 75 KASCHMIR  
OB 75 WH**



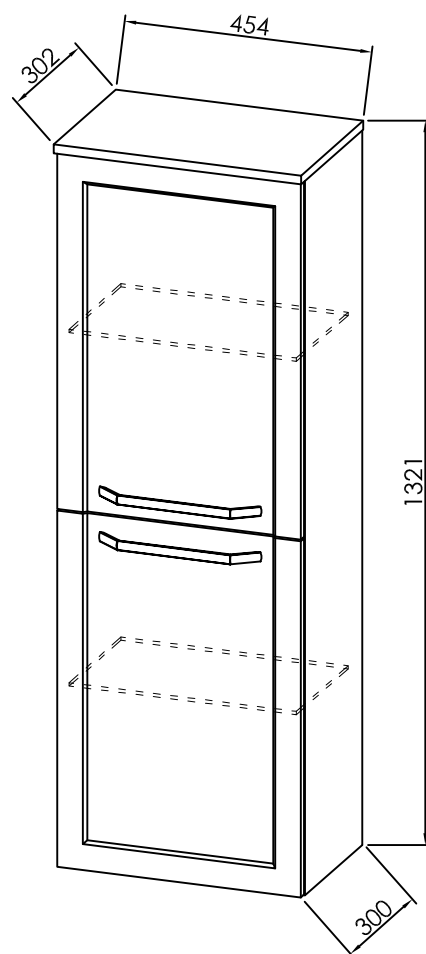
**ZGORNJI DEL SIFONA SE PRILAGA**

**BLANSHE**  
**OB / UB 75,110,150 / OG Ø80,100,120**





**B 923 ANT**  
**B 923 KASCHMIR**  
**B 923 WH**



**B 1323 ANT**  
**B 1323 KASCHMIR**  
**B 1323 WH**

**BLANSHE**  
**B 923, 1323**