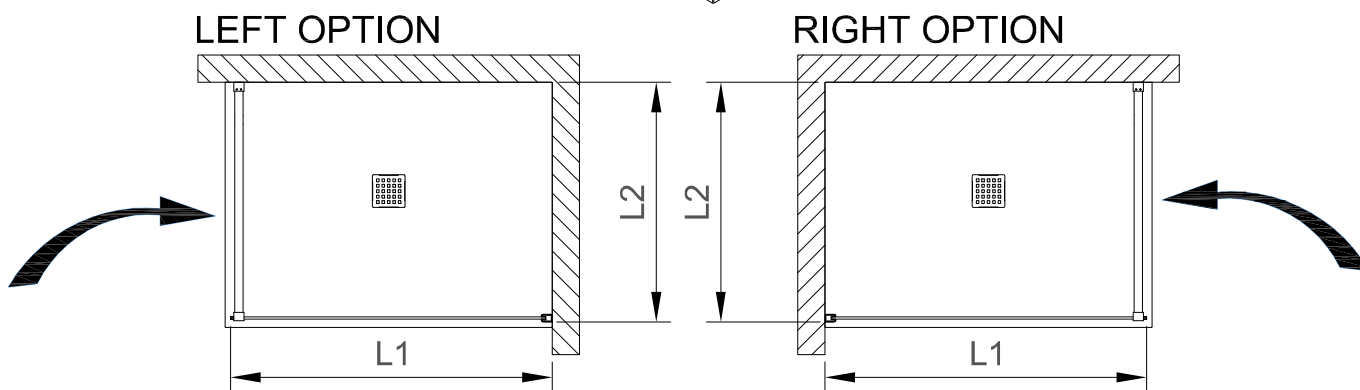
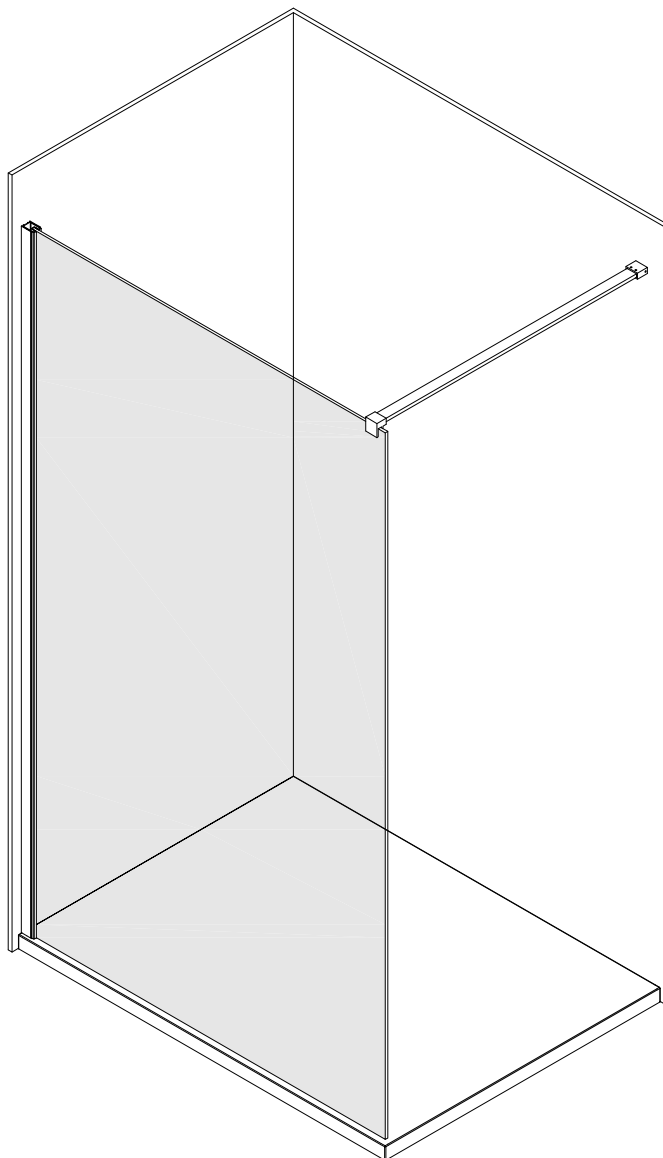
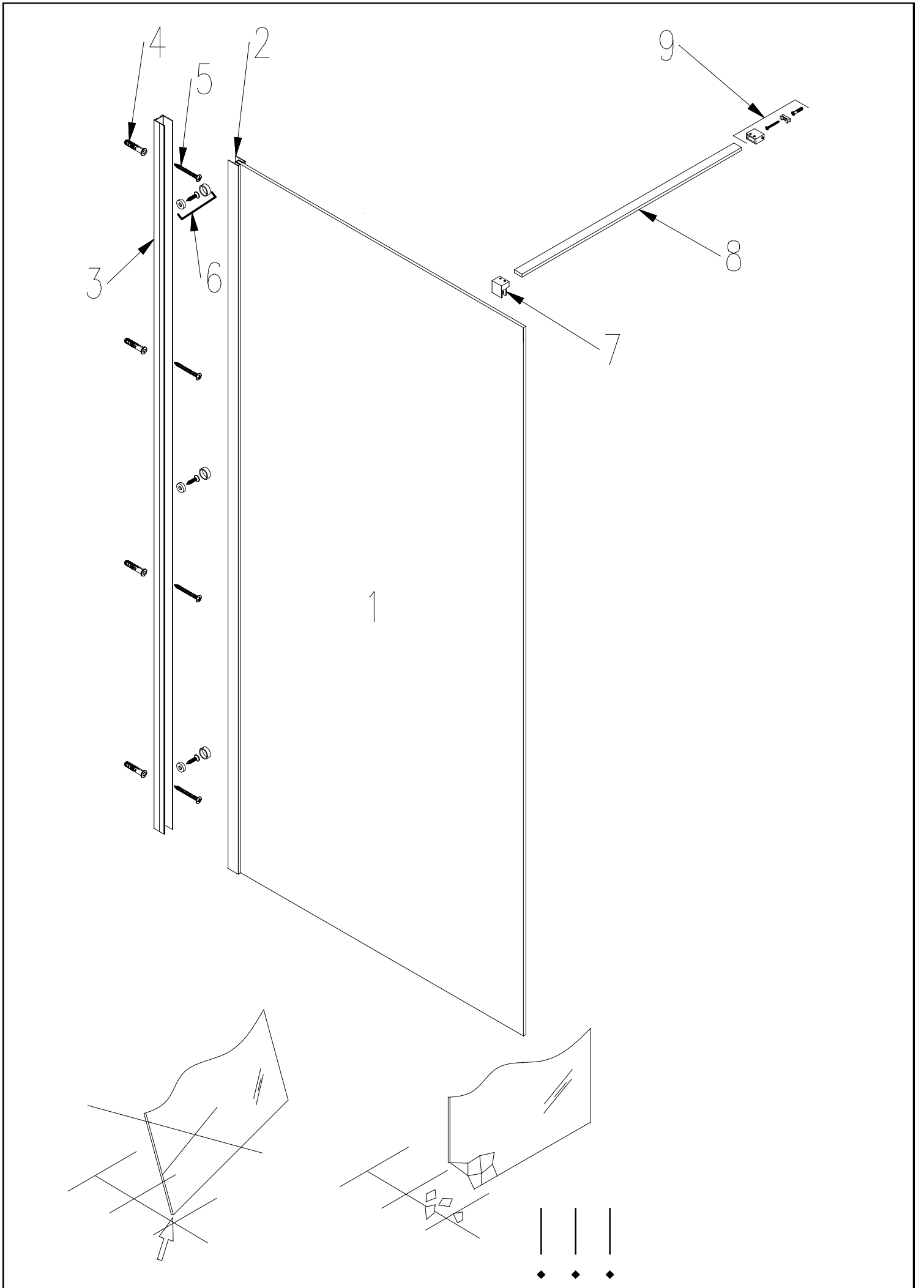
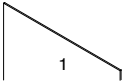
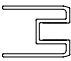




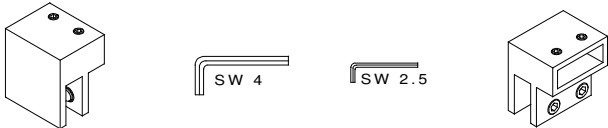
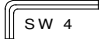
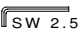
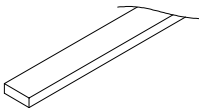
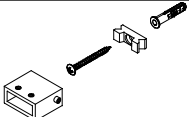
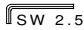
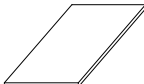
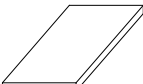



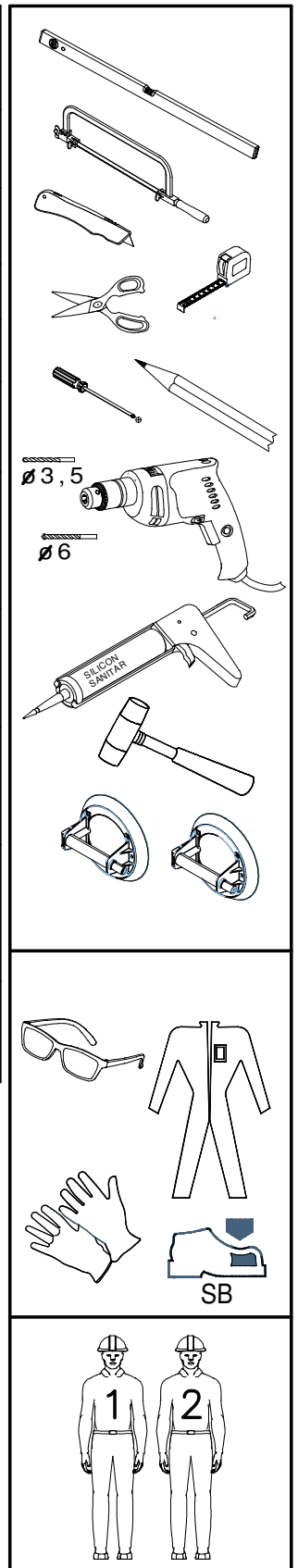
CALYPSO WO

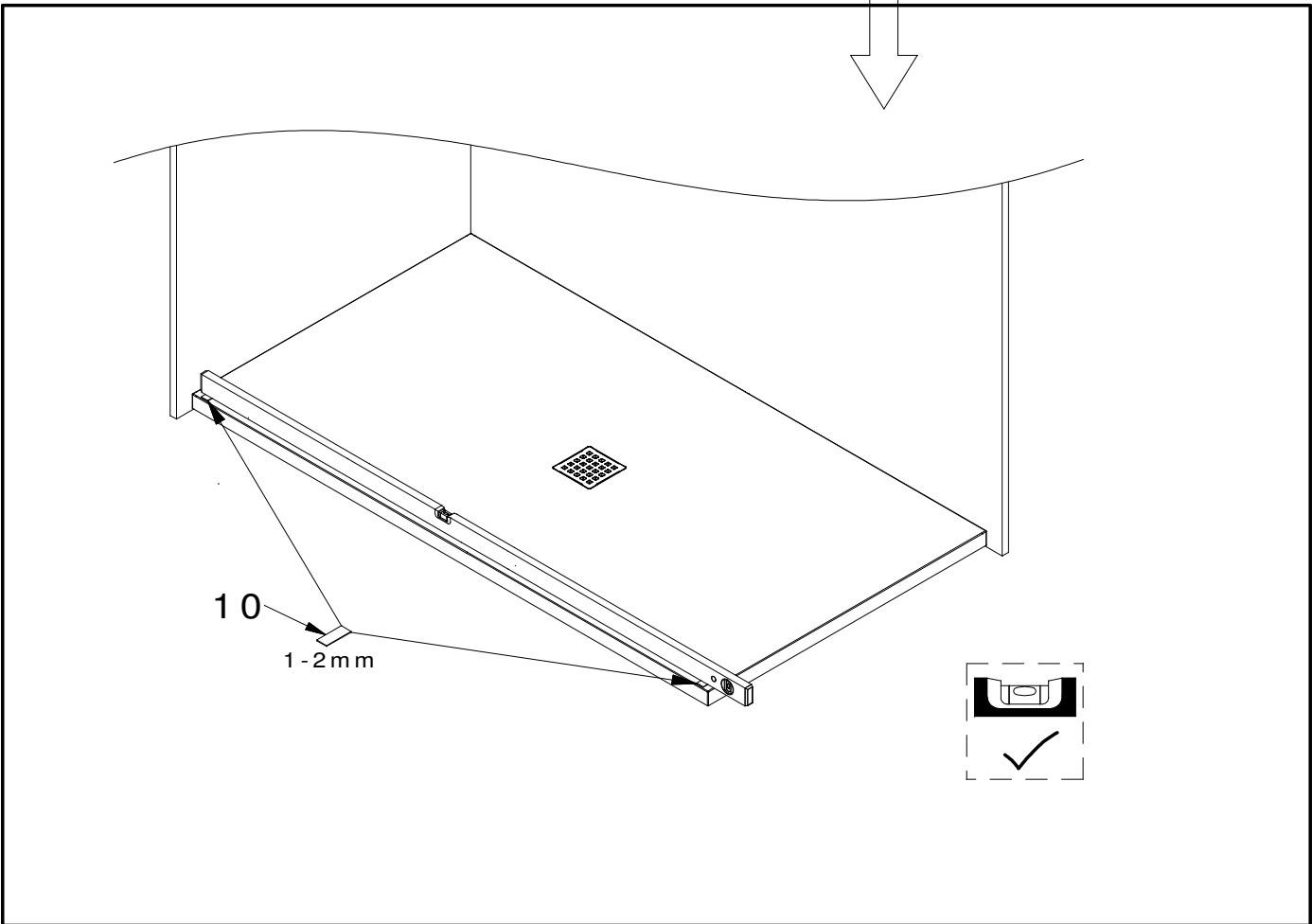
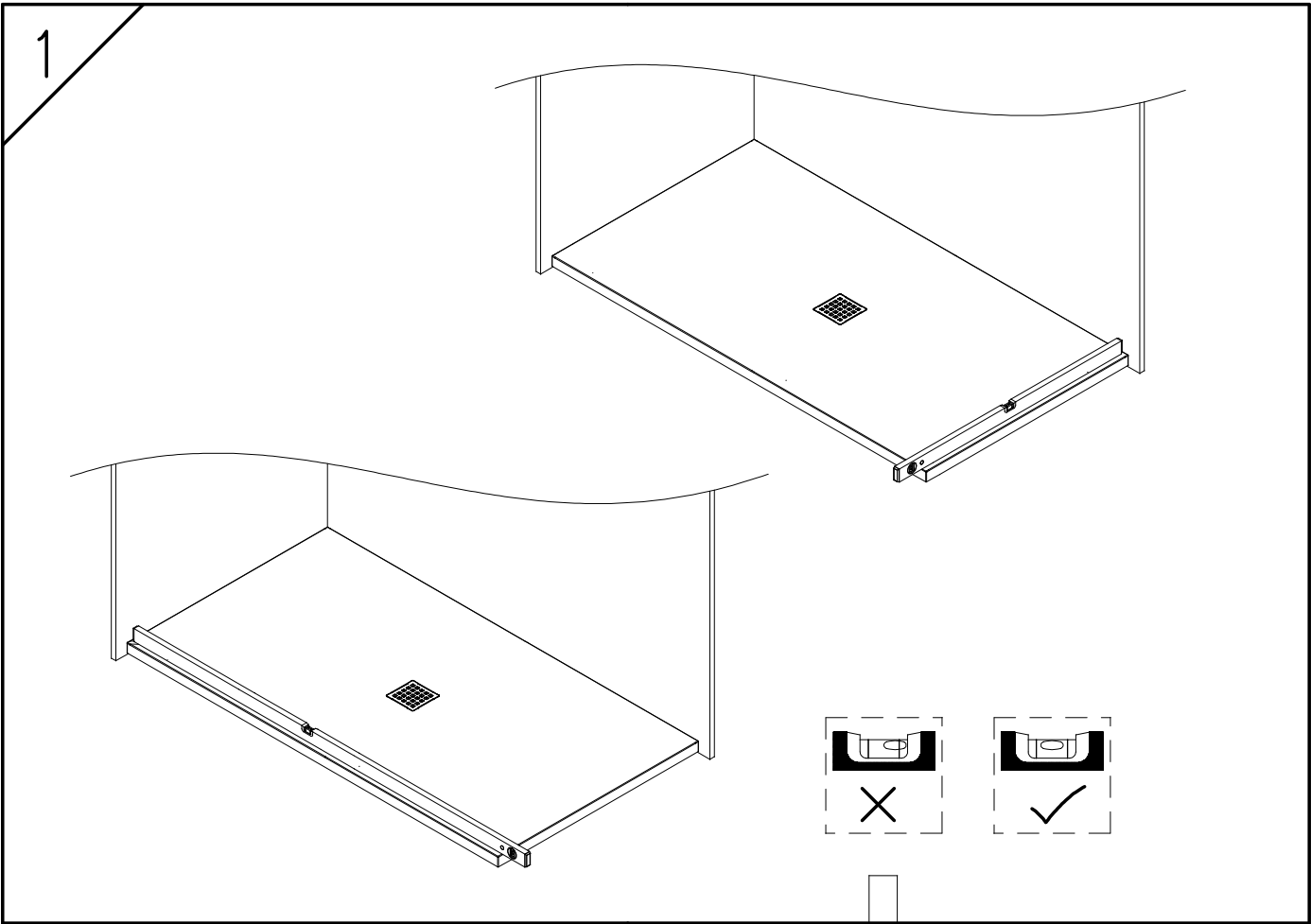


	L1	L2	I
WO 100	980-990	MAX 1200	2000
WO 120	1180-1190	MAX 1200	2000
WO 140	1380-1390	MAX 1200	2000

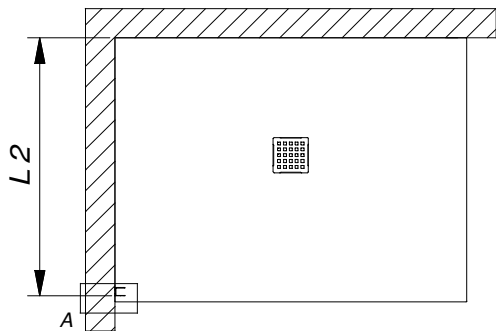


1.		1
2.		1
3.		1
4.	 $\varnothing 6 \times 35$	4
5.	 $\varnothing 4 \times 40$	4
6.	 $\varnothing 3,9 \times 13$	3
7.	  SW 4  SW 2.5	1
8.		1
9.	  SW 2.5	1
10.	 1 mm  2 mm	1 + 1
11.		1

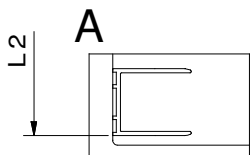




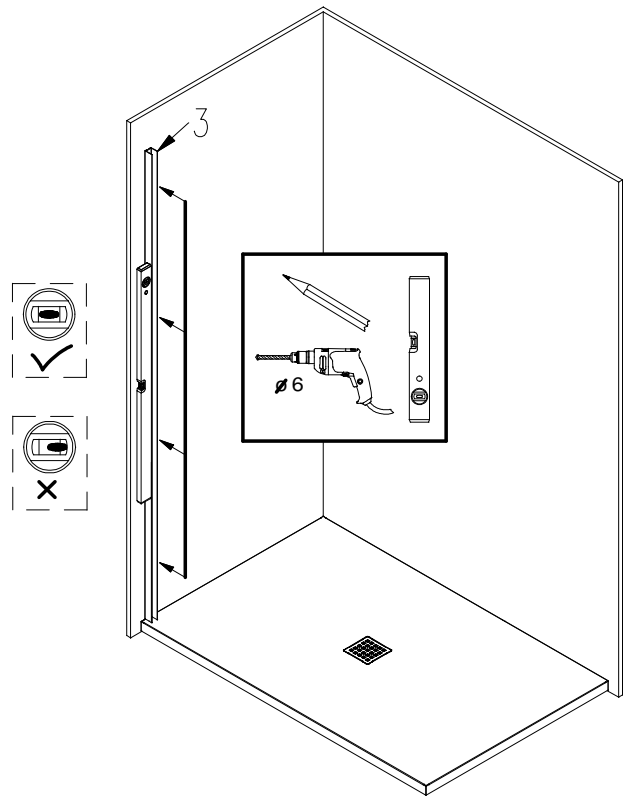
2



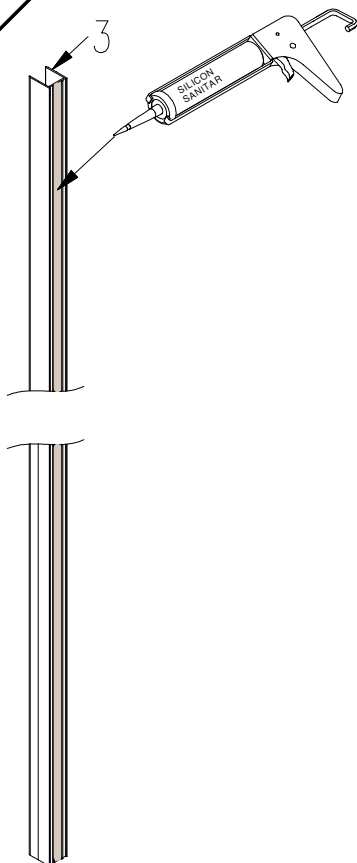
	L2
WO 100	MAX 1200
WO 120	MAX 1200
WO 140	MAX 1200



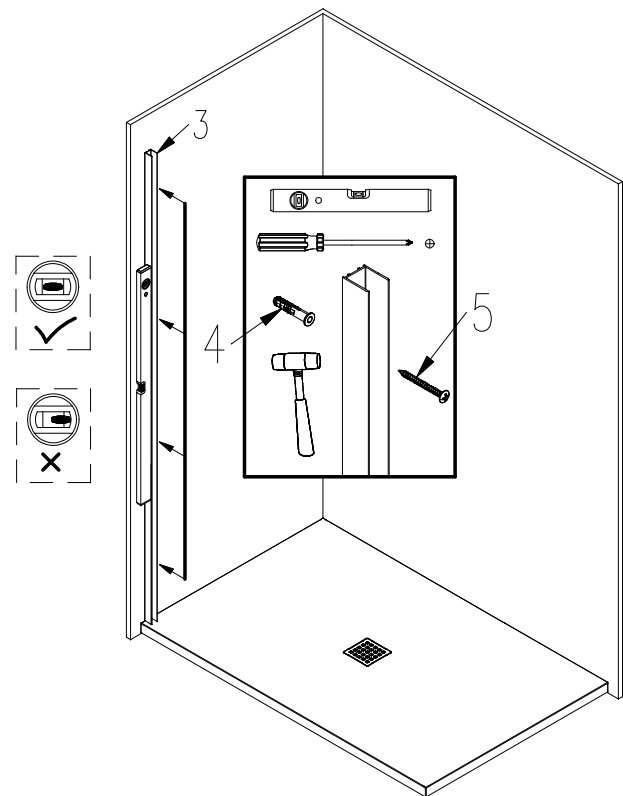
2.1



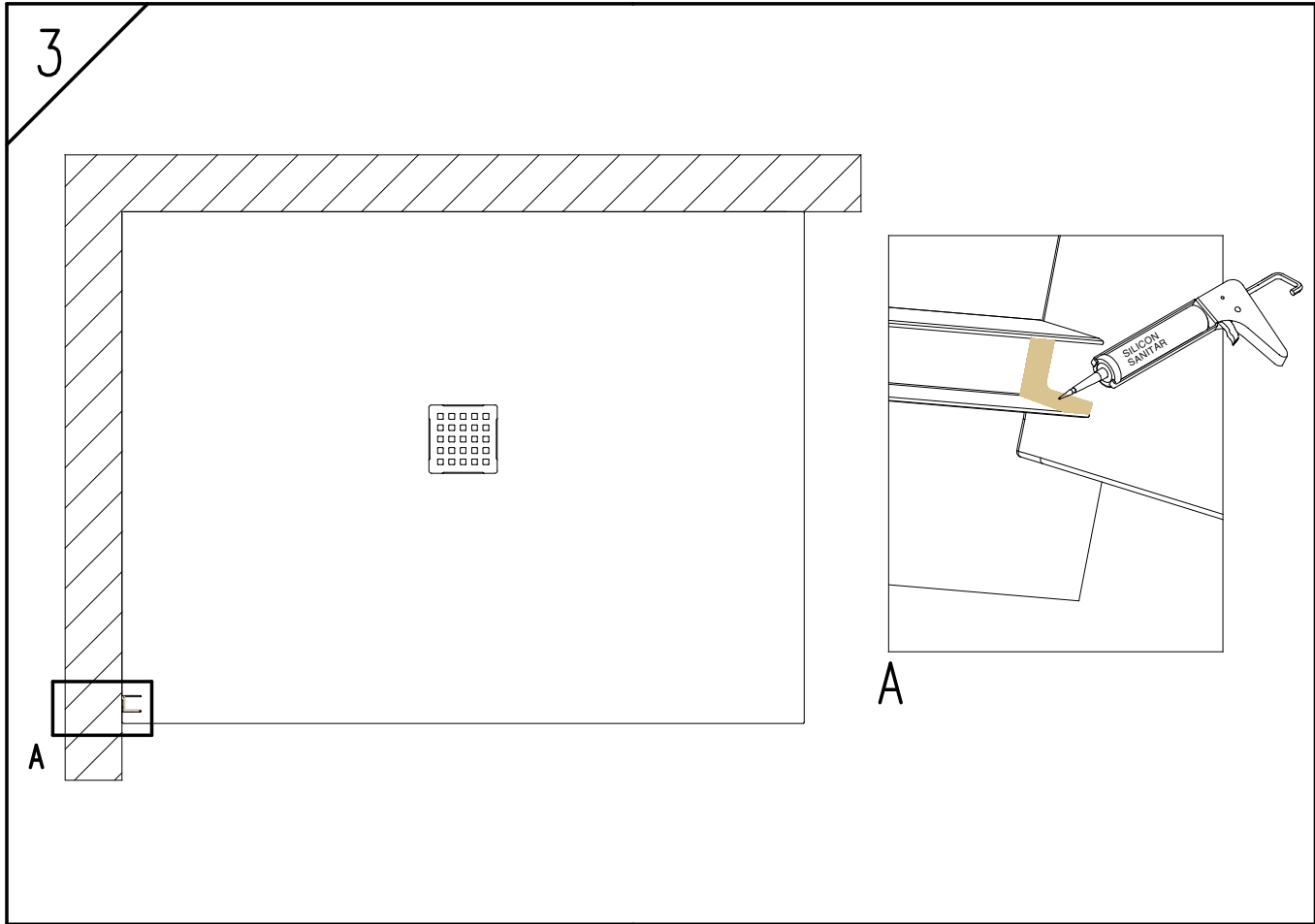
2.2



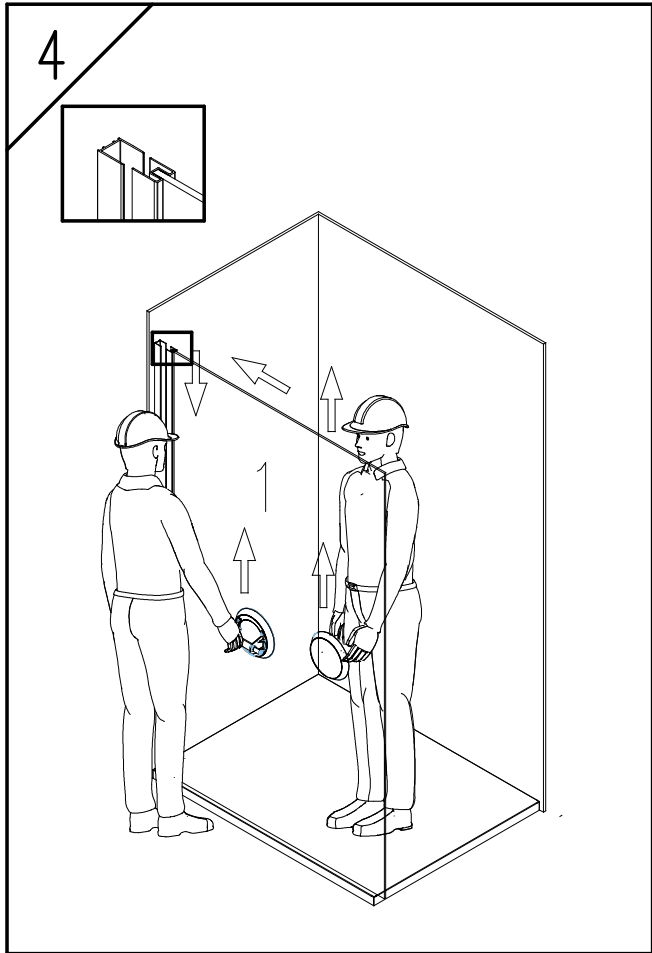
2.3



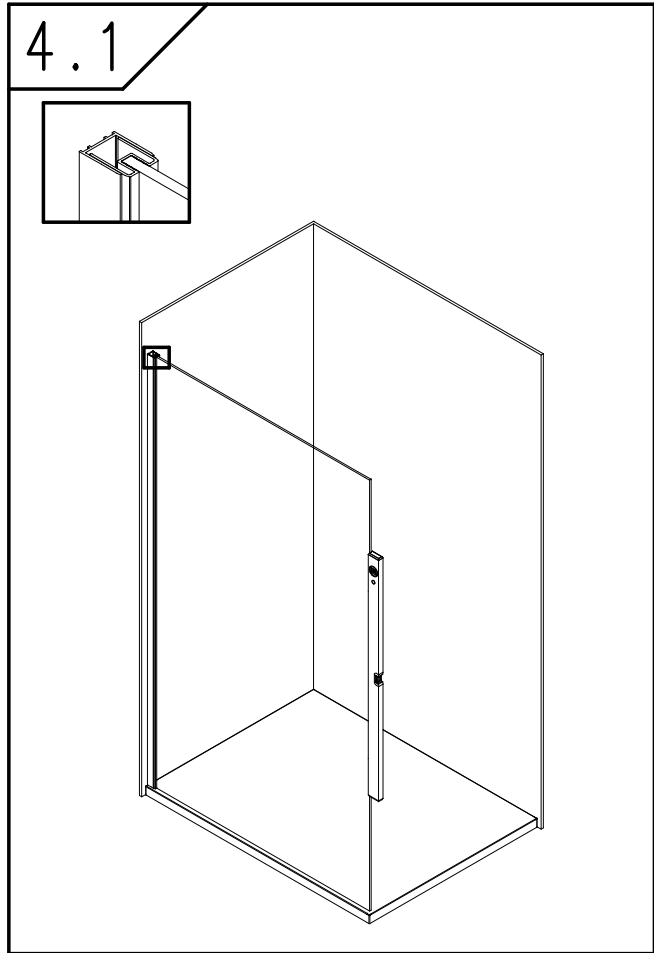
3

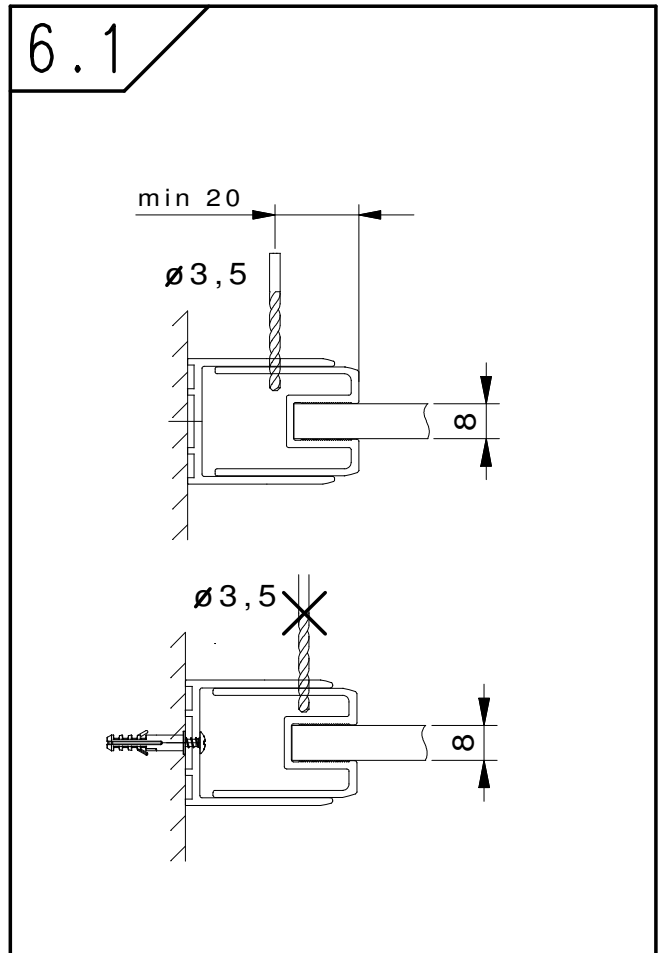
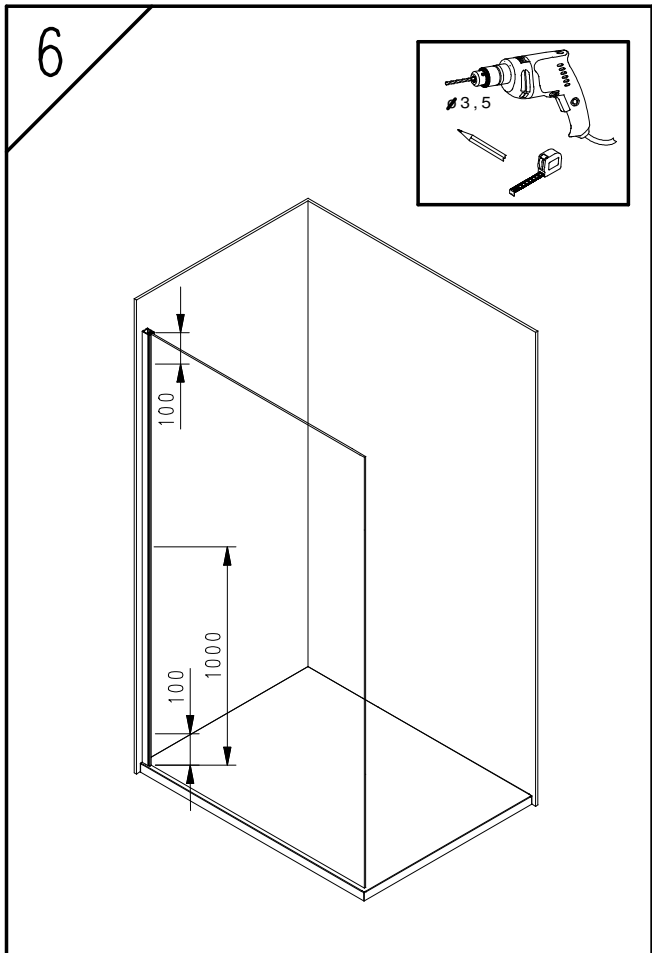
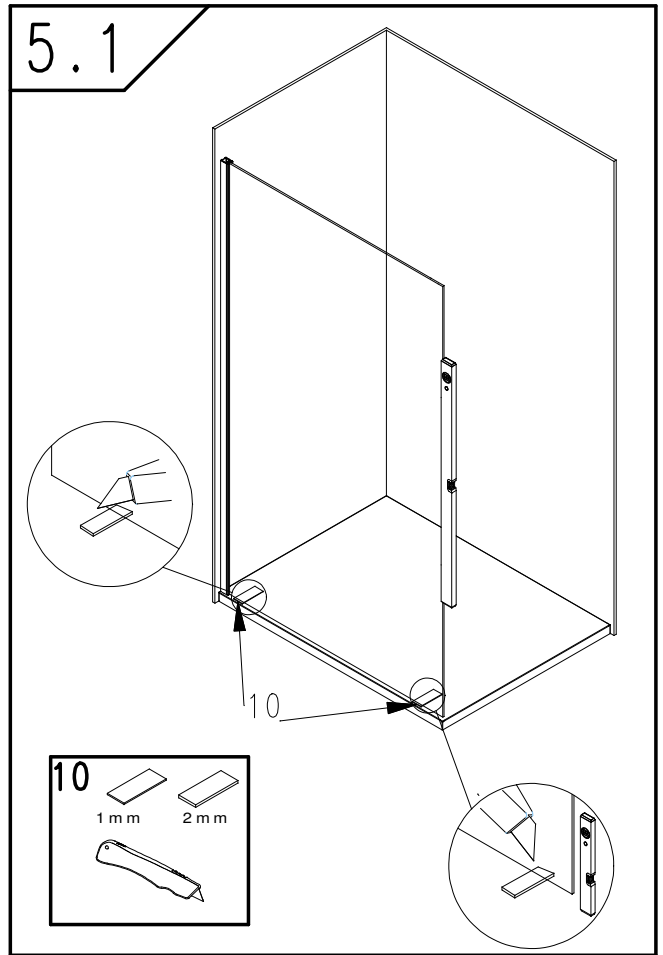
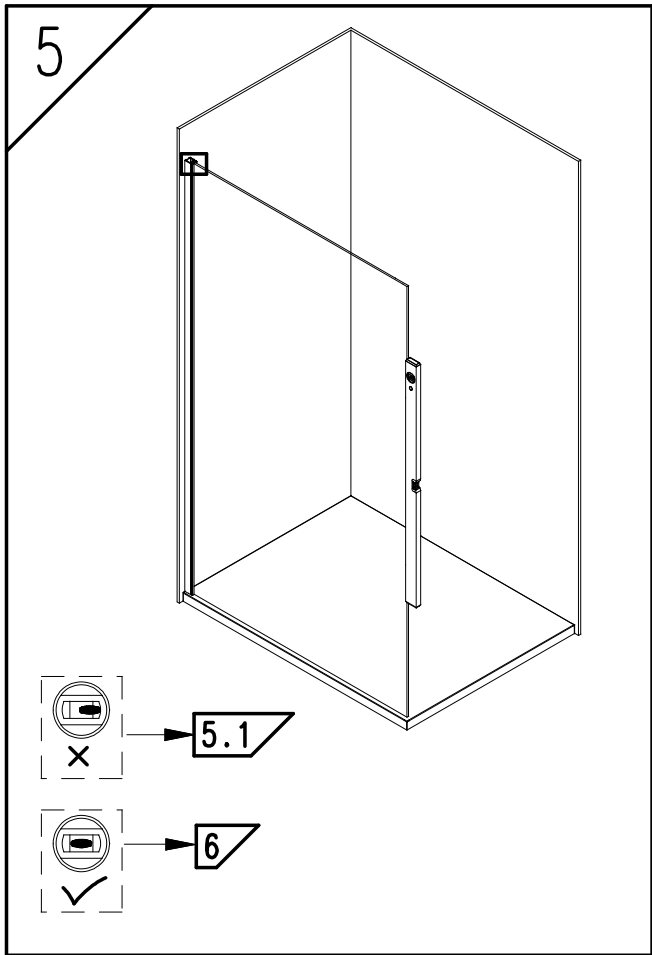


4

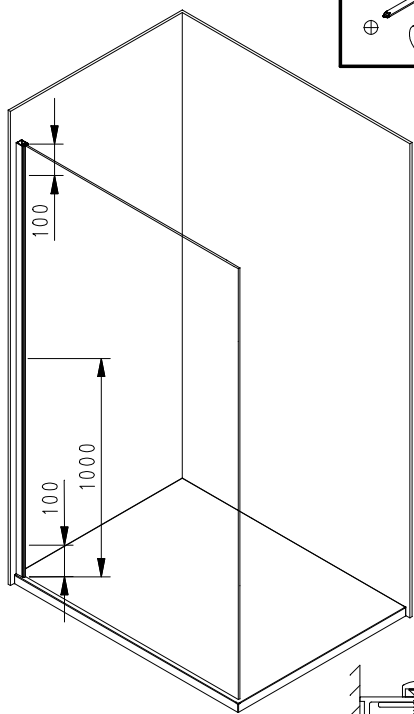
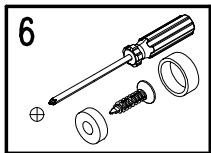


4.1

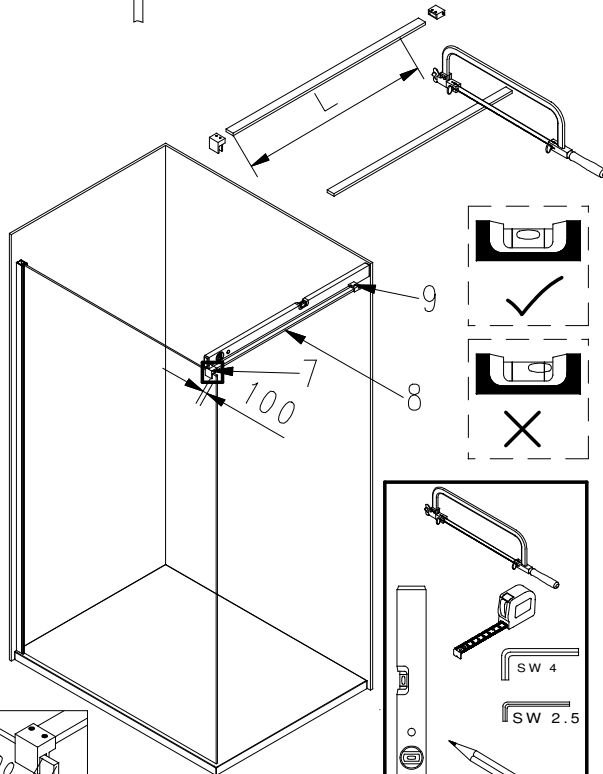
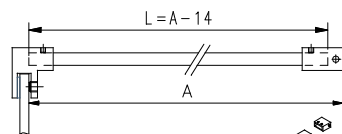




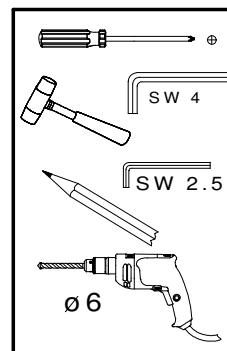
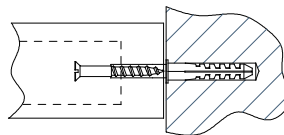
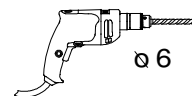
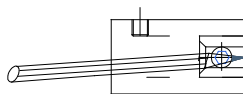
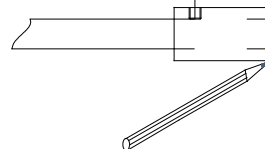
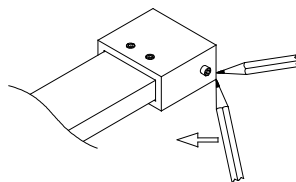
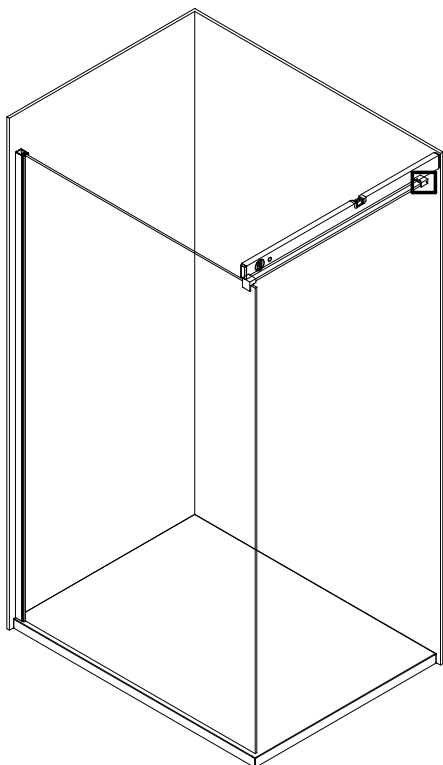
6.2



7

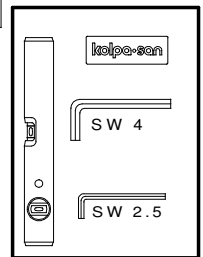
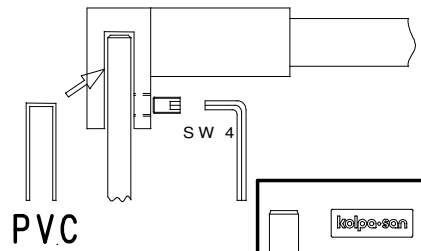
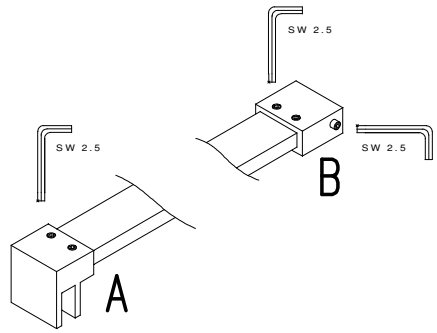
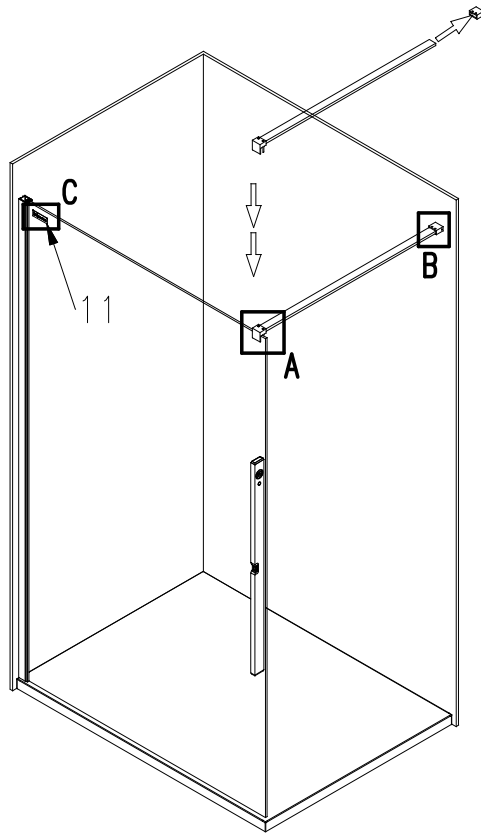
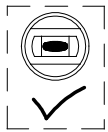
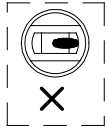
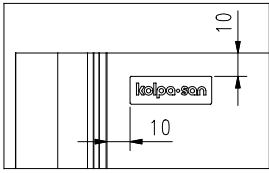


7.1



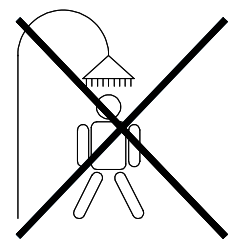
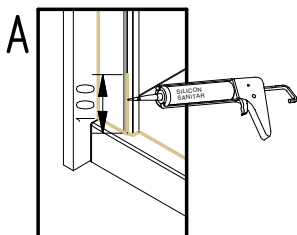
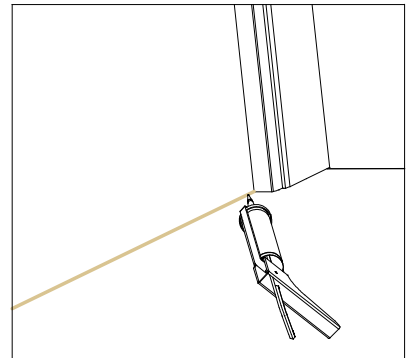
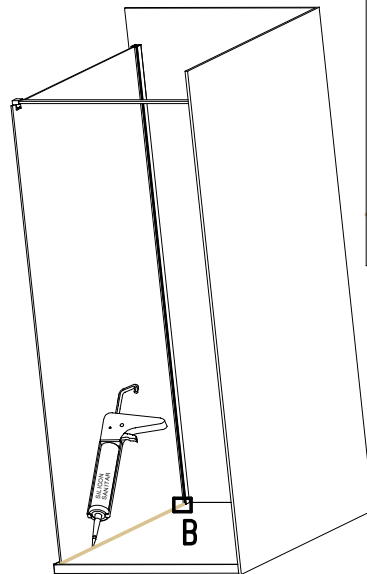
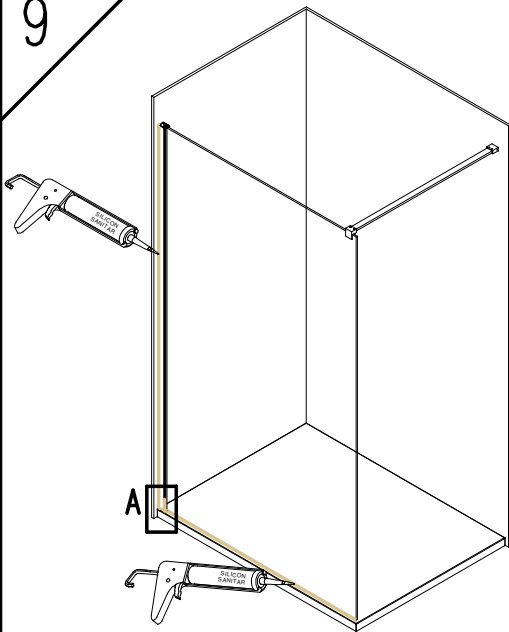
8

C



9

B



24 h