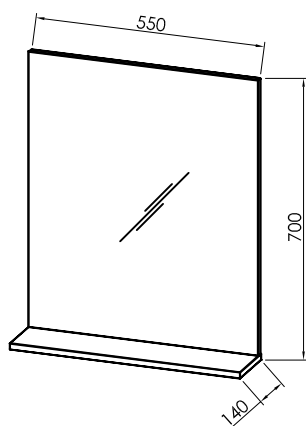
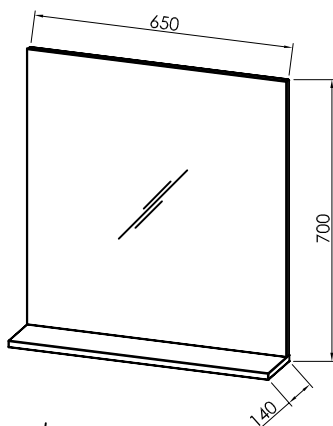


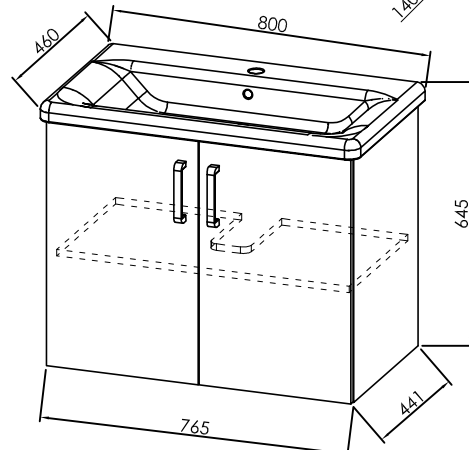
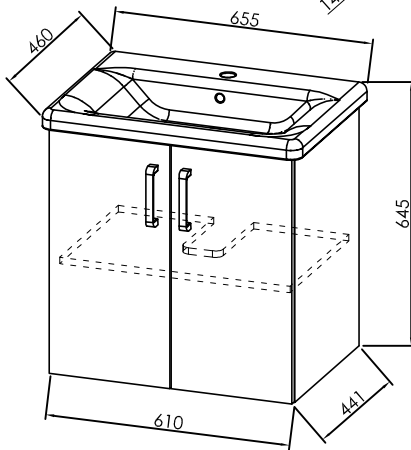
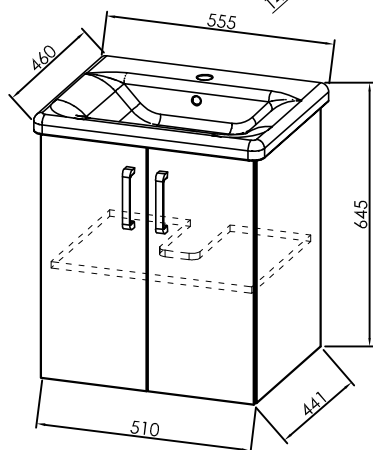
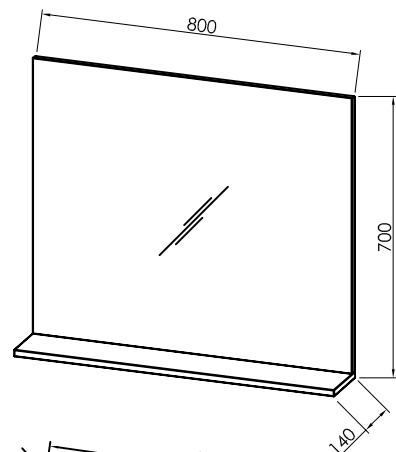
**OGE 55 WH  
OGE 55 GRAY**



**OGE 65 WH  
OGE 65 GRAY**



**OGE 80 WH  
OGE 80 GRAY**

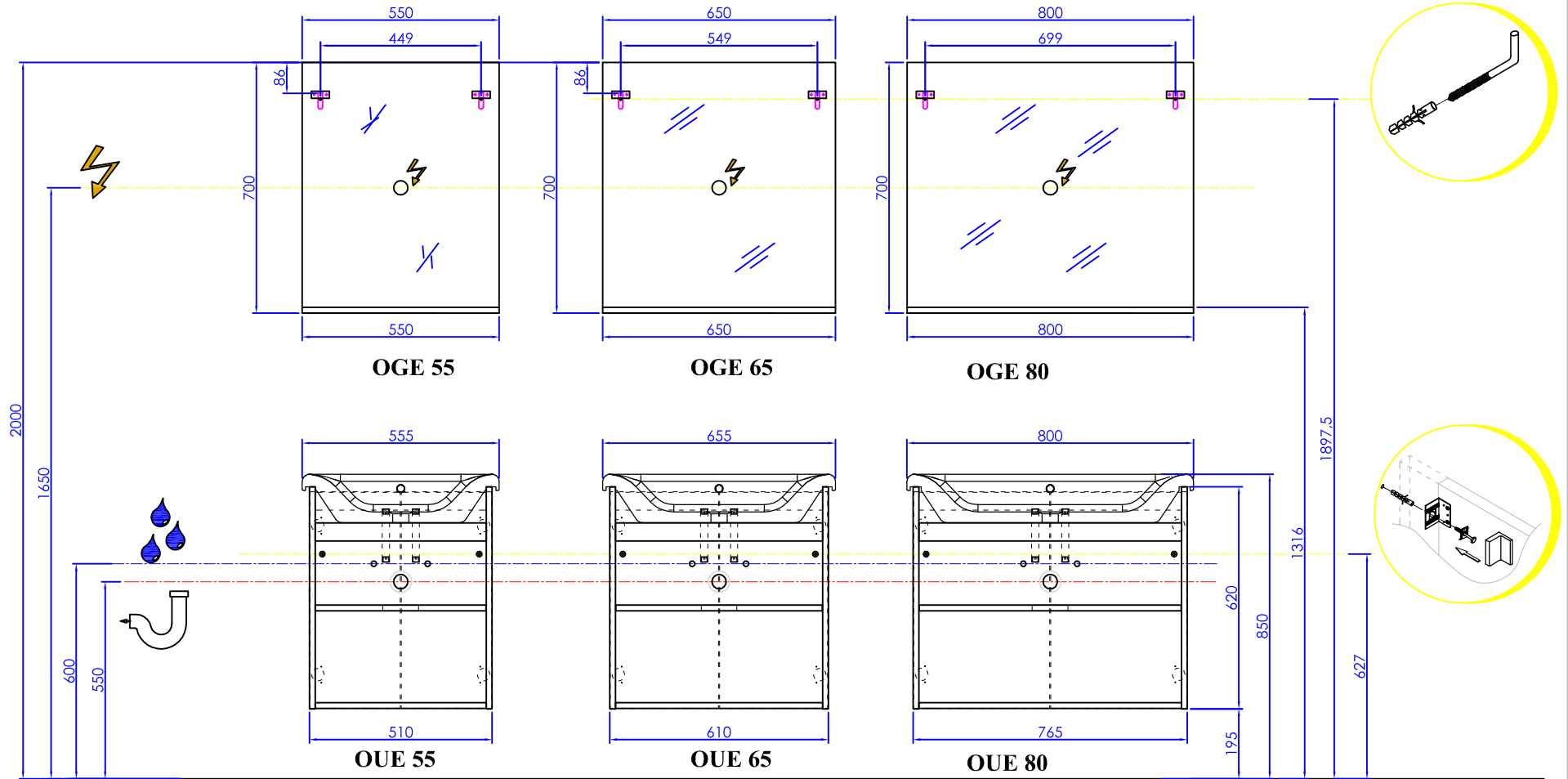


**OUE 55 WH  
OUE 55 GRAY/ANT  
OUE 55 GRAY/OAK**

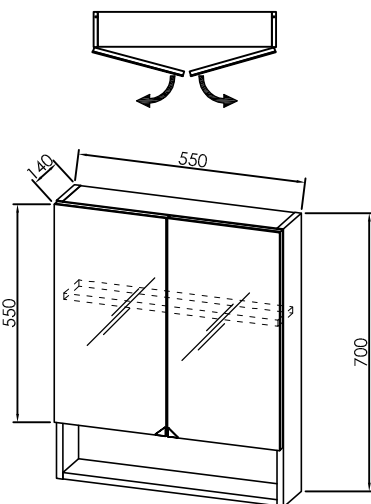
**OUE 65 WH  
OUE 65 GRAY/ANT  
OUE 65 GRAY/OAK**

**OUE 80 WH  
OUE 80 GRAY/ANT  
OUE 80 GRAY/OAK**

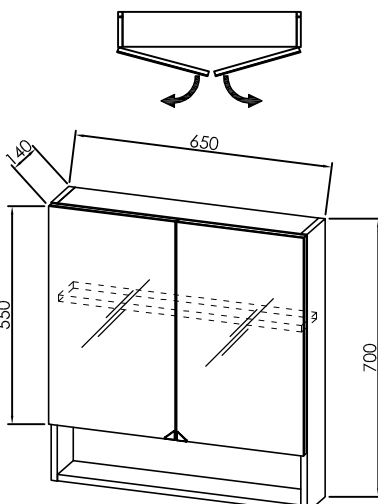
**EVELIN**  
**OUE / OGE 55, 65, 80**



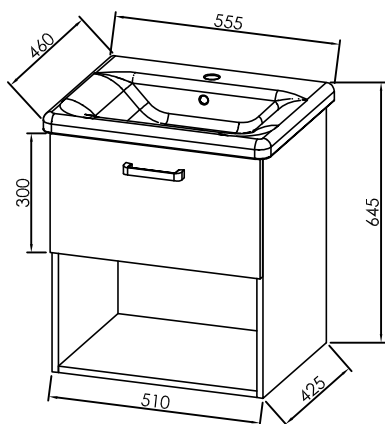
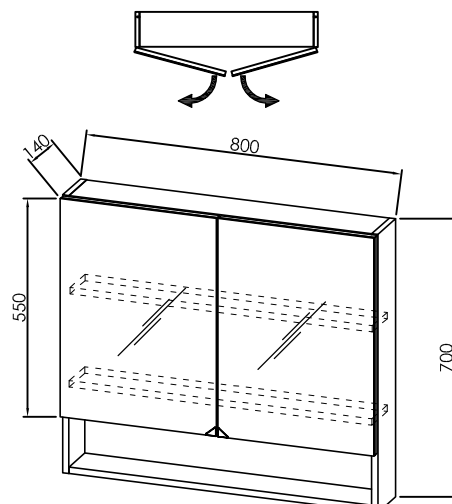
**TOE 55 WH  
TOE 55 GRAY**



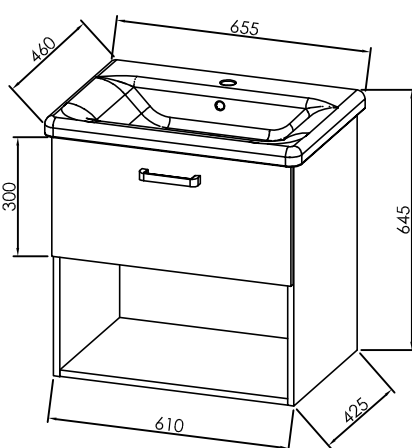
**TOE 65 WH  
TOE 65 GRAY**



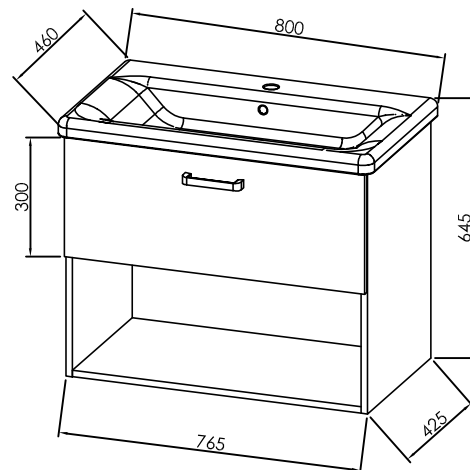
**TOE 80 WH  
TOE 80 GRAY**



**OUE 55 II WH  
OUE 55 II GRAY/ANT  
OUE 55 II GRAY/OAK**

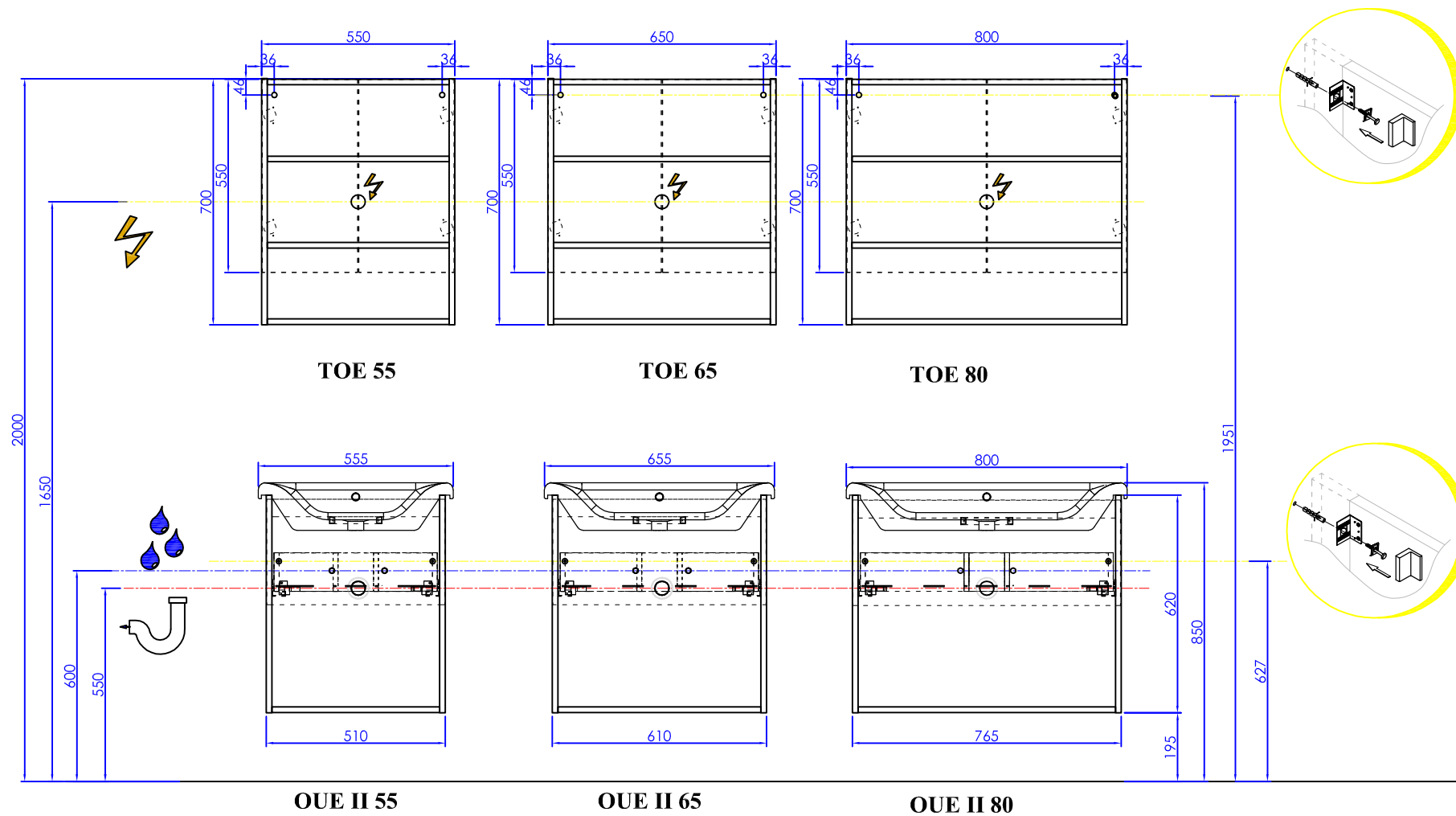


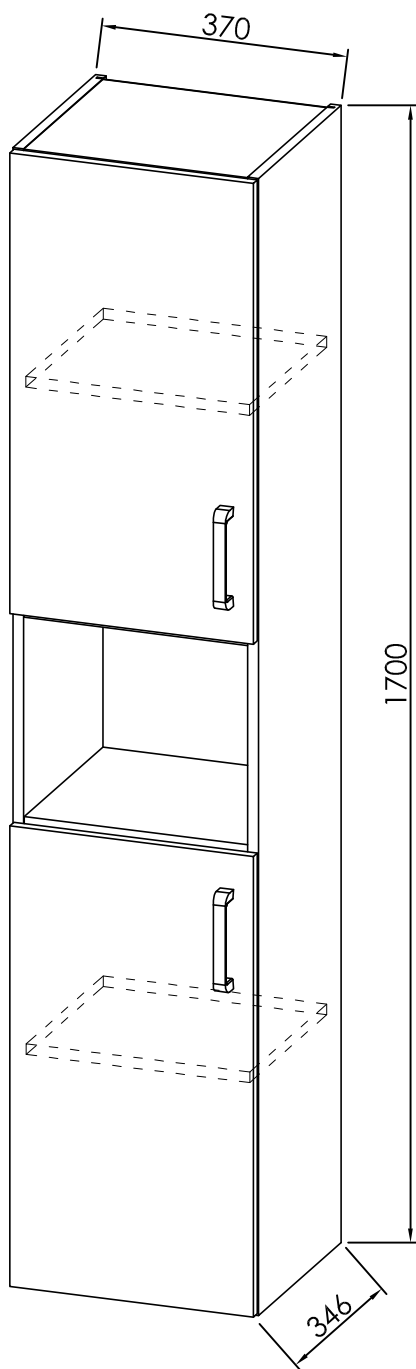
**OUE 65 II WH  
OUE 65 II GRAY/ANT  
OUE 65 II GRAY/OAK**



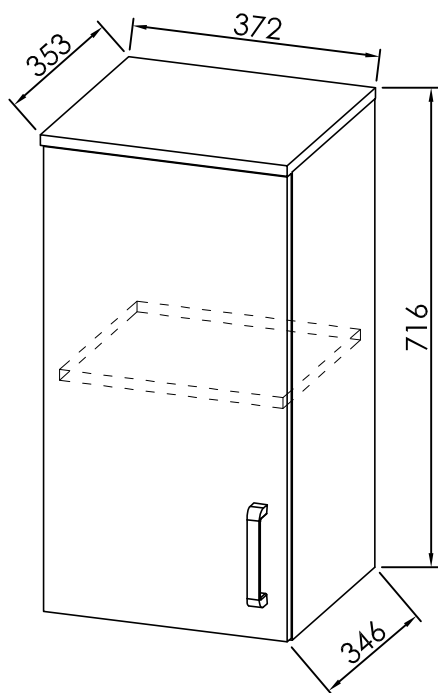
**OUE 80 II WH  
OUE 80 II GRAY/ANT  
OUE 80 II GRAY/OAK**

**EVELIN**  
**OUE II /TOE 55, 65, 80**

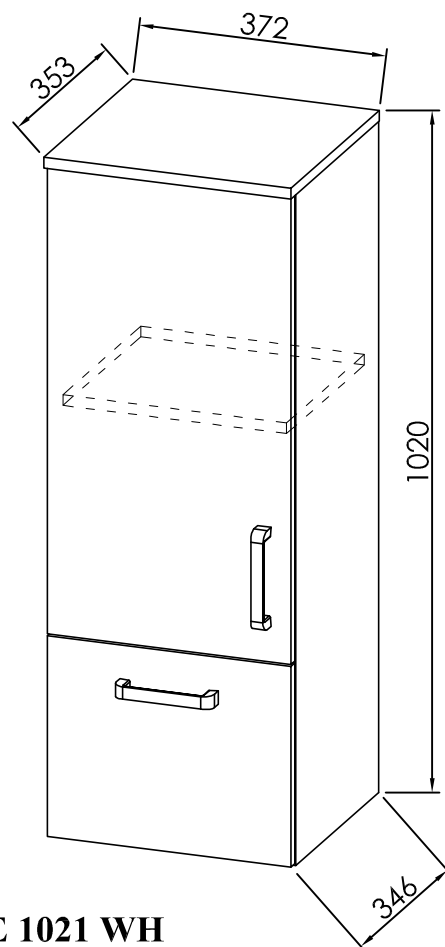




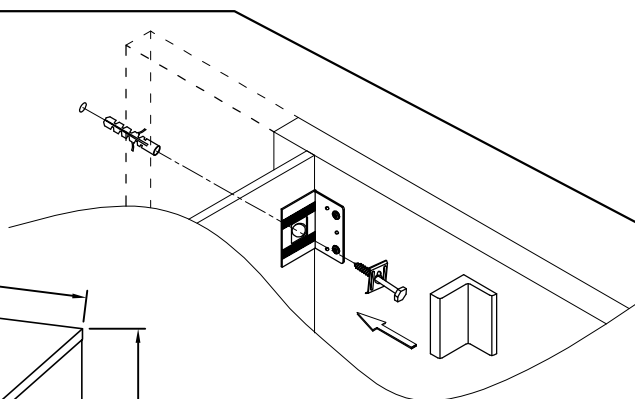
**E 1702 WH**  
**E 1702 GRAY/ANT**  
**E 1702 GRAY/OAK**



**E 702 WH**  
**E 702 GRAY/ANT**  
**E 702 GRAY/OAK**



**E 1021 WH**  
**E 1021 GRAY/ANT**  
**E 1021 GRAY/OAK**



**EVELIN**  
**E 702, 1021, 1702**